



SIDE-SHIFTING ROTARY TILLERS

LPF 085 (FPM 619.996) - 0,85m
LPF 105 (FPM 619.982) - 1,05m
LPF 105 (FPM 619.271) - 1,05m
LPF 125 (FPM 619.729) - 1,25m
LPF 125 (FPM 619.226) - 1,25m
LPF 145 (FPM 619.992) - 1,45m
LPF 145 (FPM 619.272) - 1,45m
LPF 165 (FPM 619.091) - 1,65m
LPF 165H (FPM 619.161) - 1,65m

№ 28262



INSTALLATION / HANDLING / MAINTENANCE

02.2021.



FPM AGROMEHANIKA DOO BOLJEVAC
Đorđa Simeonovića br.25
19370 BOLJEVAC - SRBIJA

• e-mail: info@fpm.rs

SERBIA

• Internet: www.fpm.rs

WARNING FOR YOU USER

By buying this machine you have made a wise choice. It is the result of many years of thinking, research and improvement. And you, like thousands of other users, will realize that you have the best that technique, knowledge and field testing could create. You have bought a reliable machine, but only if you use it properly, you can expect good performance and a long service life.

This manual provides all the necessary information you need to achieve the best possible efficiency with your machine. That effect largely depends on how well you read this manual and apply that knowledge. It is a simple machine, but often you can overlook the shortcomings that are obvious, and they show poor performance, which often occurs because you neglected the natural wear of parts or that your machine is not well tuned. Therefore, do not imagine that you know how to use and maintain the machine before reading this manual, which you should always have on hand.

Our service representatives or sales and service centers with their trained staff can offer you all original parts of rotary shredders for servicing. These parts are manufactured and carefully inspected in the same factory where the shredder itself is made, to ensure high quality and accurate assembly at each replacement.

ROTARY TRACTOR TILLERS PRODUCES: FPM AGROMEHANIKA DOO BOLJEVAC.

Rotary tractor shredders meet the criteria prescribed by the Law on Standardization and the Rulebook on Safety of Machinery ("Official Gazette of the REPUBLIC OF SERBIA", No. 21/2020, valid from March 6, 2020), especially in terms of stability and protection of parts and assemblies that would function and shape could endanger the safety of the operator.

IMPROVEMENT: FPM Agromehanika DOO constantly strives to improve its products and therefore reserves the right to make changes or improvements when necessary, without any obligation to change or supplement previously manufactured or sold equipment.

The information in this manual is correct on the date of issue.

All print and image rights reserved:
FPM AGROMEHANIKA DOO BOLJEVAC

AN CONTEXT OF THE INSTRUCTIONS FOR HANDLING AND MAINTENANCE IS ALSO THE CERTIFICATE OF OCCUPATIONAL SAFETY MEASURES, AND THE STATEMENT OF COMPLIANCE 98/37 / EC WITH THE SAFETY REQUIREMENTS ESTABLISHED BY THE EUROPEAN DIRECTIVE.



Issued: FPM Agromehanika DOO Boljevac

Štampa:

Year: 02. 2021.

STRANA	TABLE OVERVIEW
	GROUP OF PARTS
4	Safety warning
5	Limited warranty
6 - 9	Warning stickers
10	Information for reading the instructions correctly
11	Tool description
12 - 13	Security
14	General information
15	Specification of technical characteristics
16	Rotary chopper operation
17 - 19	The process of aggregating a rotary shredder on a tractor
20	Uncoupling tools from the tractor
20	Adjustment and maintenance
21 - 22	Knives and quick-change rotors
23	Side gear oil change
23	Gearbox oil change
24	Working depth adjustment device
24	Work with a rotary chopper
25 - 26	Adjustable trailer
27	Lubrication
28	Adjustment and maintenance
29	Articulated coupling - PTO shaft
30	Adjusting the movable mechanism
30	Storage of the shredder
30	Storing the PTO shaft coupling
31	Certificate - safety measures have been applied at work
32	Declaration of Conformity 98/37 / CE
33	Warning for you, user

READ CAREFULLY!

You will find warning labels, "CAUTION", "CAUTION" and "DANGER" in this manual and on the machine. The warnings are intended to draw your attention to the personal caution and caution of those who work with you because they too need to read it.

PERSONAL SECURITY

CAUTION: This word "CAUTION" is used where care is needed to protect the operator and others from an accident.

ATTENTION: This word "ATTENTION" means the possibility of a serious injury to the operator and staff that can occur suddenly. It is a frequently used word as a warning to the operator and others to prevent surprises when using the shredder.

DANGER: This word "DANGER" means what we must not do, because it entails risk.

BEHIND ADDITIONAL WARNINGS AS A "WARNING" AND "IMPORTANT" ARE SPECIAL INSTRUCTIONS REGARDING THE SAFETY OF THE ROTARY TILLER.

ROTARY TILLER SAFETY

NOTE: THIS WARNING DRAWS THE OPERATOR'S ATTENTION TO THE POSSIBILITY OF DAMAGE TO THE CUTTER IF HE DOES NOT FOLLOW AN INSTRUCTIONS.

IMPORTANT: THE READER IS INFORMED ABOUT SOMETHING HE NEEDS TO KNOW IN ORDER TO PREVENT SMALL FAULTS ON THE SMALL PLANT, IN CASE HE MISSES IT.

WARNING!

IF YOU DO NOT COMPLY WITH THE ABOVE WARNINGS "CAUTION", "WARNING" AND "DANGER", SERIOUS INJURIES MAY OCCUR.

LIMITED WARRANTY

The factory gives a guarantee in accordance with the Law on Standardization, Rulebook on safety of machines ("Official Gazette of the REPUBLIC OF SERBIA", No. 21/2020, valid from 06.03.2020), for each original piece of shredder delivered to the user by the sales network FPM Agromehanika DOO Boljevac which guarantees that at the time of delivery each such part of the shredder is new, without defects in material and workmanship, and that the rotary shredder is guaranteed for a period of one year from the date of delivery to the end user, provided that the machine is used and serviced in accordance with the recommendations in this INSTRUCTIONS for operation and maintenance.

EXCEPTIONS:

- 1.- parts made of wood are not covered by the warranty.
- 2.- parts not manufactured by FPM Agromehanika DOO Boljevac (tires, plastics, , PTO shaft, etc.) are not covered by this warranty, but by the manufacturer's warranty.
- 3.- parts that are normally consumed in operation, namely: rotors, cutting knives, cutting knife holders, sliders under the sides of the shredder, shredder cover.
- 4.- this warranty is void in the event of misuse, improper or negligent use or damage in an accident. The warranty expires due to the use of non-original parts, and the factory is not liable for damage caused during transport.

THE FACTORY IS NOT RESPONSIBLE FOR LOSS OF EARNINGS DUE TO CRUSHING OF THE CUTTER OR INJURY TO THIRD PARTIES, OR FOR ADDITIONAL COSTS OF WORK ON REMOVAL AND REPLACEMENT OF PARTS.

The buyer is responsible and bears the costs of the following:

- 1.- normal maintenance, such as lubrication, oil refill, minor adjustment and similar.
- 2.- transport of the shredder where the service is performed within the warranty period and back.
- 3.- the travel time of the authorized service center to the owner of the rotary shredder and back, or the delivery and return of the shredder from the service workshop after repair.

This warranty does not apply to a rotary shredder that has been changed or modified without our express permission or has been repaired by someone other than an authorized service center.

The warranty is subject to strict adherence to the warnings:

- all instructions in this manual must be followed and all guards must be regularly inspected and replaced, as needed.

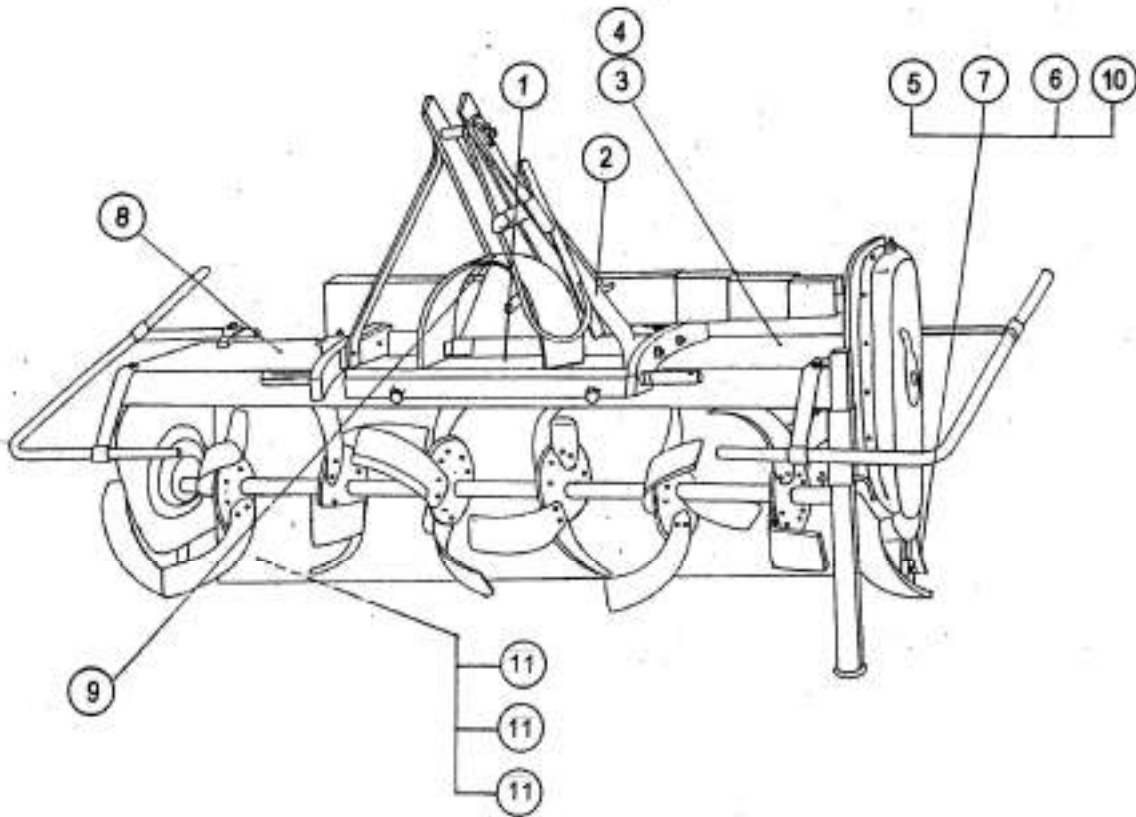
No warranty is given for products that are not new.

Persons who only work in our factory are not officially representatives of the factory and have no right to assume any obligation on its behalf.

No warranty covers product equipment wider than that provided, and the factory is not liable for damages resulting from such use.

WARNING STICKERS

The following warning labels have been affixed to your shredder for your safety as well as the safety of the people working with you. Holding this manual in your hand, go around the machine and check these warning labels and instructions in the manual. Labels must be legible, if not replace them.



The identification of the rotary chopper is done through the inscription plate (sticker number 2) which is located on the console - pyramid on its front side. The board contains the following labels:

- - In the field marked with the letter "Z" - the number of the certificate (document) on safety at work is entered.
- - In the field "MASS / WEIGHT" - the mass of the product is entered.
- - In the field "YEAR" - year of production (last two digits).
- - In the "TYPE" field - the batch designation and the commercial product designation.
- - In the field »№«, the number of the rotary mower is entered, which consists of nine digits and has the following meaning:
 - - first digit - year of production
 - - second and third - manufacturer's code
 - - other six digits - ordinal number of the product from the day of the beginning of production.

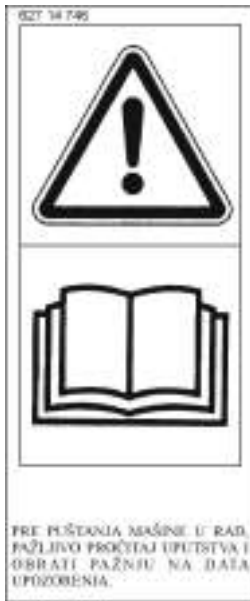
1



2



3



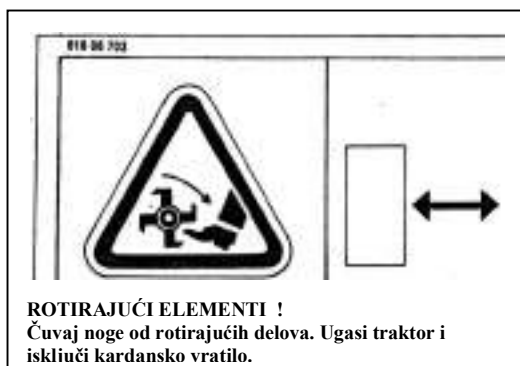
4



5



6



7

50981 147

ROTIRAJUĆI ELEMENTI!
 Čuvaj ruke. Kod podizanja i spuštanja priključka budi oprezan. Ugasi traktor i isključi kardansko vratilo.

PAŽNJA

ROTIRAJUĆI ELEMENTI!
 ČUVAJ RUKU. KOD
 PODIZANJA I SPUŠTANJA
 PRIKLOPCA BUDI OPREZAN,
 UGASI TRAKTOR I ISKLJUČI
 KARDANSKO VRATILO.

8

50981 146

OPASNOST OD PADA
 Nikada ne prevozi druge osobe na mašini za vreme rada ili transporta.

PAŽNJA

OPASNOST OD PADA
 NIKADA NE PREVOZI DRUGE
 OSOBE NA MAŠINI ZA VREME
 RADA ILI TRANSPORTA.

9

50981 145

ROTIRAJUĆI ELEMENTI!
 Kod prilazanja sitnilici dok je u radu voditi računa da obrtni delovi ne zahvate deo tela ili odeće. Veži zaštitu kardana lancima za fiksiranje.

PAŽNJA

ROTIRAJUĆI ELEMENTI!
 KOD PRILAZENJA SITNILICI
 DOK JE U RADU, VODITI
 RAČUNA DA OBRJNI DELOVI
 NE ZAHVATE DEO TELA ILI
 ODEĆE. VEŽI ZAŠTITU
 KARDANA LANCIMA ZA
 FIKSIRANJE.

10



11

LPF 125 FPM 619.729

11

LPF 105 FPM 619.982

11

LPF 145 FPM 619.992

11

LPF 165 FPM 619.091



ATTENTION: THIS TRIANGULAR SYMBOL IS USED EVERYWHERE YOUR SAFETY, SAFETY OF OTHER PERSONS IS NEEDED, AND IN ORDER TO PROTECT YOUR SMALL CUTTER FROM RISK. THEREFORE, CAREFULLY READ THE WARNING WHERE THESE SIGNS ARE LISTED.

INFORMATION FOR CORRECT READING OF INSTRUCTIONS

In this manual, "left" and "right" are specified if viewed in the direction of travel.

Metric thread is used during assembly.
Tighten all screws during installation.

Each image uses letters that indicate where the installation should be performed.

Read the text carefully to ensure that the shredder is mounted correctly.



CAUTION: THIS SYMBOL IS USED TO DRAW ATTENTION TO YOUR PERSONAL SECURITY. BE CAREFUL!

OPIS ORUĐA

ROTARY TILLERS :	LPF 145	FPM 619.992 - working width 1,45m
	LPF 125	FPM 619.729 - working width 1,25m
	LPF 105	FPM 619.982 - working width 1,05m
	LPF 165	FPM 619.091 - working width 1,65m

They represent a family of tillage machines in the production program of FPM Agromehanika DOO Boljevac.

The concept of the technical system of rotary shredders for tillage is of modular type and consists of the following modules:

I - Support structure with system for connection and regulation of working depth:

- I - 1 — Main girder - welded assembly
- 2 — Connecting part - pyramid - assembly
- 3 — Cover
- 4 — Side plate - left
- 5 — Side plate - right
- 6 — Slipper support - left
- 7 — Slipper support - right

II - Transmission part with safety elements.

- II - 8 — Cardan shaft - assembly
- 9 — Reducer - assembly
- 10 — OK shaft with protection
- 11 — Chain side transmission

III - Working module - rotor with cutting elements, hoes.

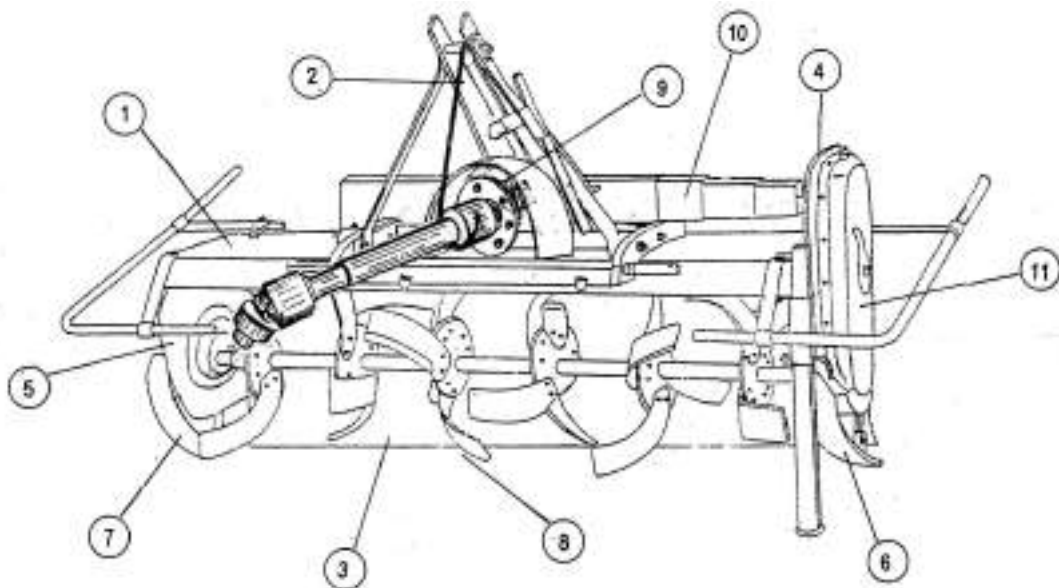





















Figure 1 - Rotary Tiller



SECURITY



Most accidents occur during operation, maintenance and transport as a result of non-compliance with basic safety requirements. For that reason, you are the most important person for the work and maintenance of your shredder, whether you work alone, with your family members or other people, be sure to read and respect the basic procedures for working with the shredder that others should hear. In addition, there are warning labels on the shredder that should draw your attention to mandatory safety.

-  - Read this manual carefully before starting work.
-  - The metal nameplate must always be legible, visible and clean.
-  - Each time before using the shredder, check that all parts (nuts, screws, etc.) are tightened, especially fasten the knives on the rotor, the ends of the rotor for the supports, the lower axles for the supports and the pyramid for the body of the tiller
-  - Knives and their parts for fastening (nuts, screws, etc.) if worn or damaged, immediately replaced with original parts FPM AGROMEHANIKA DOO BOLJEVAC.
-  - For safety reasons, check the guards on the tractor PTO shaft and the PTO shaft of rotary tillers properly installed and well secured.
-  - Use a PTO shaft recommended by the factory.
-  - Pay special attention to the protection of the cardan shaft with the chains that have been installed for that purpose. (Cardan shaft protection must not be rotated). If the protection is damaged, replace it immediately with a new one.
-  - When the PTO shaft is not in use, place it in its intended place on the machine.
-  - Switch off the tractor and before you start adjusting, lubricating or cleaning the shredder turn off the PTO Shaft
-  - Wait for the rotating parts to stop before approaching the shredder.
-  - While working, always stay away from all parts of the shredder.
-  - Never wear clothing that can be caught by the rotating parts of the shredder, when approaching the shredder while in movement pay special attention that the rotor or cardan dont catch part of your clothes
-  - Never transport the shredder unattached.
-  - Never drive the shredder on.
-  - Never transport other people on the shredder or tractor during work or transport.
-  - Never engage the tractor PTO shaft while the shredder is in the transport position.
-  - The operator must be absolutely convinced that persons or animals are not in the work area shredder, before starting the shredder and starting work.
-  - Remove objects from the field before you start work.
-  - You must not remove the protective keys when working with the shredder.

- ⚠ - The operating and maintenance instructions must be kept for the intended life of the machine.
- ⚠ **IMPORTANT** It does not work on rocky ground, in order to avoid the risk of an accident, due to the throwing of stone on objects or faces and the possible breakage of cutting knives.
- ⚠ - It never works when reversing.
- ⚠ - When they require special occasions, light signals to indicate danger if this is not prohibited by traffic rules.
- ⚠ - Due to driving safety requirements, he uses a tractor with a cab.
- ⚠ - Before you start the shredder, and for a very short distance, always translate it and secure it in it Transport position.
- ⚠ - Before starting the tractor for transport or work with the shredder, check that all the parts are done, for transport and operation in good condition.
- ⚠ - Before you start driving on public roads, be sure to secure the shredder for safe driving, and respect the rules of conduct in public transport.
- ⚠ - It is necessary that at the end of the season with the shredder, an authorized service technician inspects your shredder, bring it in the correct condition, especially the knives on the rotors, and to fasten all the parts (screws, nuts, etc.) with the precisely prescribed tightening torque.
- ⚠ - Adjustments on the chopper can only be performed safely when the tractor is switched off and stiff.
- ⚠ - It is very dangerous to adjust the height of the sheet metal trailer (sheath) while the rotor is turning, so it shuts down tractor and switch off the PTO shaft.
- ⚠ - In no case may it be used for the operation of shredders on the rotor of which not everyone is attached provided knives. The lack of a certain number of blades on the rotor causes uneven operation and vibrations which can lead to major damage to the tool.
- ⚠ - When finished, first switch off the shredder rotor using the appropriate lever (switch off the PTO shaft), and then lower the shredder to the substrate.
- ⚠ - The maximum PTO shaft rotation angle (when not rotating) is 30°. Any overrun this angle can damage the tractor PTO shaft or the PTO shaft.
- ⚠ - Protectors on the side of the shredder are mandatory during operation, completely fasten them with safety screws.
- ⚠ - It is absolutely forbidden for a person who does not own to drive the tractor and the attached machine an appropriate driver 's license, an unprofessional person, or a person who does not have adequate psycho - physical properties.



THESE WARNINGS SHOULD NEVER BE IGNORED.



WARNING:: THIS TRIANGULAR SYMBOL IS USED EVERYWHERE IT IS NECESSARY TO PAY ATTENTION TO YOUR SAFETY, THE SAFETY OF OTHER PERSONS AND TO MAKE YOUR LITTLE SHIELD PROTECTED FROM RISKS - STOGO ZOCIJEN ZACIJEN

GENERAL INFORMATION

Rotary tillage machines with active cutting tools - hoes make up a group of rotary tillage machines with a horizontal axis of rotation, forcibly driven from the tractor PTO shaft.

The transmission module ensures optimal use of tractor power via the PTO shaft, lower transmission losses, operation with a standard PTO speed of 540 min⁻¹; optimal operating modes and other conditions in terms of safety, control and protection against overload that may occur in operation.

Work module - rotor with cutting blades with its shape, geometry and layout provides good quality of cultivation in all conditions and operating modes with minimal energy consumption, human and machine work per unit volume of cultivated land.

Rotary shredders are intended for reading through various jobs in agricultural production.

This tool is very suitable for:

- **quality cultivation and preparation of land for sowing in one pass**
- **less trampling and compaction of soil and protection of soil from erosion**
- **application throughout the year in basic and additional tillage, aeration and regeneration of meadows and pastures and inter-row cultivation in orchards**
- **preserving the structure and increasing soil fertility**
- **mixing of plant residues and mineral fertilizers with the soil**
- **work, both in plain and on sloping terrains**

Since the engine power is transmitted from the tractor PTO shaft to the blade rotor via the transmission, the tractor wheel slip is not only eliminated, but on the contrary, the shredder pushes the tractor during operation.

The connection of the tractor shredder is in three points, categories I and II. The implement is raised to the transport and lowered to the working position using the tractor hydraulic control lever.

Rotary shredders can be aggregated with all domestic and foreign tractors, whose motors have the appropriate power at 540 rpm of the tractor PTO shaft.

SPECIFIKACIJA TEHNIČKIH KARAKTERISTIKA

	OZNAKE ROTACIONE SITNILICE			
	LPF 165 (FPM 619 091)	LPF 145 (FPM 619 992)	LPF 125 (FPM 612 729)	LPF 105 (FPM 619 982)
Working width	1,65 m	1,45 m	1,25 m	1,05 m
Tractor power min - max (HP)	28 KW and more			
Transmission	MECHANICAL			
Central Transmission	Gearbox			
Side gear	Single-stage chains			
Plowing depth regulation	Mechanical by means of sliding supports			
Processing depth (cm)	5 - 15			
Rotor type	With horizontal axis of rotation			
Cutting machine	Naturally rotating, with cutting effect, optimal shape of geometry and arrangement, for different soil conditions, types and conditions			
Connection method	Worn three-point linkage			
PTO speed	540 min⁻¹			
Rotor speed	230 min⁻¹			
Thread	metric	metric	metric	metric
Weight (kg)	220	200	190	180

ROTARY TILLER HANDLING

BEFORE USE

1. Check that all parts (nuts, screws, etc.) are sufficiently tightened, especially tighten the blades on the rotor, the ends of the rotor for the brackets, the lower pins for the brackets and the pyramid for the shredder body.

- Knives and their parts that are used for fastening (nuts, screws, etc.) if they are worn or damaged, immediately replace them with original parts of FPM AGROMEHANIKA DOO BOLJEVAC.

- a) 1. It is mandatory to use stabilizer bars (Figure 2) or stabilizer chains (Figure 3) when working with the shredder. The stabilizer bars are attached to the tractor as follows (see figure 2).
- b) Fasten the left stabilizer bar bracket (Fig. 2, Item 1) under the housing of the left rear axle, and the right one under the housing of the right rear axle of the tractor (Fig. 2, Item 2), by screwing.

NOTE : Position the stabilizer bar levers so that the axles for connecting the stabilizer bars on them are facing each other, ie towards the central axis of the tractor.

- c) Place the stabilizer bars on the carrier pins so that the slightly bent ends of the levers face the center line of the tractor.
 - d) Secure the installed stabilizer bars with safety pins.
2. If your tractor is equipped with stabilizer chains, the installation procedure is shown in Figure 3, the installation sequence is the same as for the installation of the stabilizer bars (see item 2).
3. Lubricate all places on the rotary chopper that are intended for lubrication.

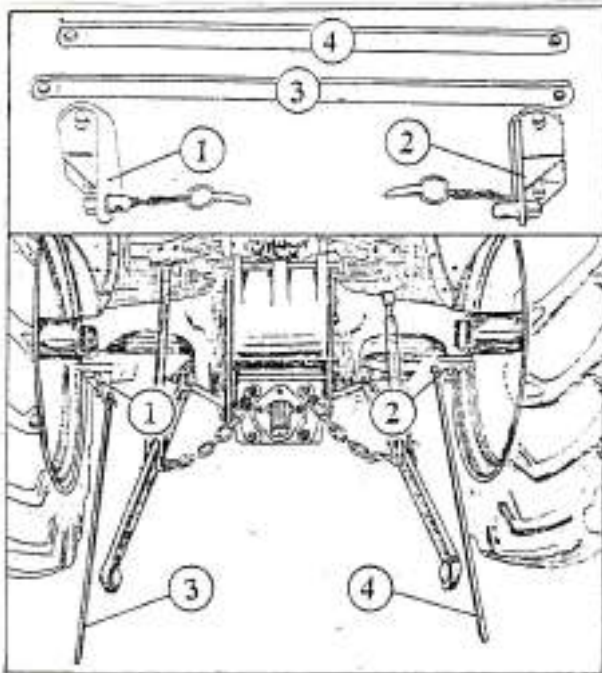


Figure 2. Installation of stabilizer bars

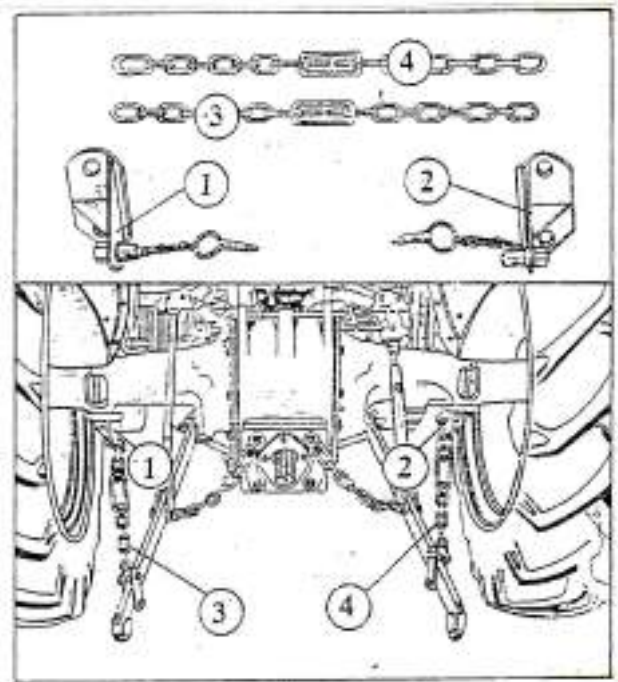


Figure 3. Installation of stabilizer chains

PROCEDURE FOR AGGREGATING A ROTARY CUTTER ON A TRACTOR

DANGER: Attaching a shredder to a tractor can be a very dangerous operation. Pay special attention and strictly follow the instructions.



DANGER: Koristiti traktor čija konfiguracija može da zadovolji potrebe tvoje rotacione sitnilice.



1. The aggregation of the rotary chopper should always be performed on a flat surface in the following way..
 1. First remove the paint from the shredder connection sleeves.
 2. Slowly drive the tractor to set it at an angle of 90° in relation to the rotary chopper, use the hydraulic lever to lower the lower tractor levers to the height of the axis of the attachment points of the chopper, switch off the tractor.
IMPORTANT: If the tractor is poorly positioned, it is much easier to drive the tractor back and forth again than to try to bring the rotary chopper to the tractor levers using your own manpower.
3. Attach the upper tractor lever - topling to the upper point carrier on the rotary chopper (Fig. 4, item A).

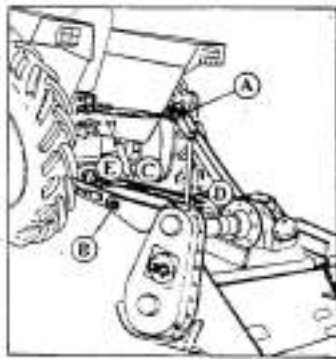


Figure 4. Shredder aggregation procedure.

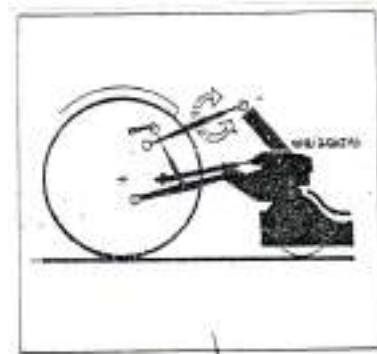


Figure 5. Correct position of the rotary tiller when it is attached to a tractor.

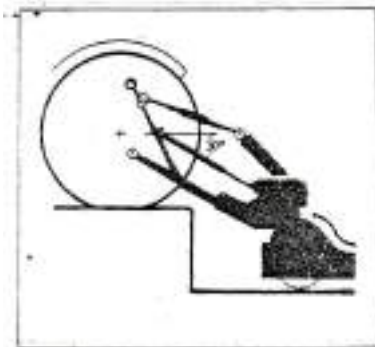


Figure 6. Checking the operation of the cardan shaft with shredder in the lowest position.

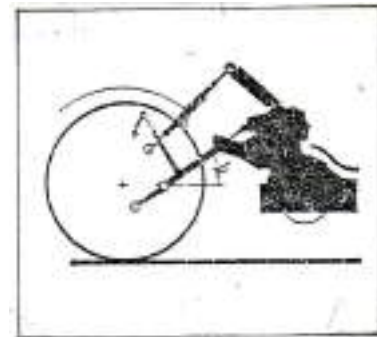


Figure 7. Maximum cardan breaking angle shaft.

4. Prikači levu donju traktorsku polugu (a takođe i stabilizatorsku polugu, ukoliko je koristiš) za levi rukavac rotacione sitnilice i u tom položaju osiguraj postojećim klinovima (slika 4, poz. B).
5. Prikači desnu donju traktorsku polugu (a takođe i stabilizatorsku polugu, ukoliko je koristiš) za desni rukavac rotacione sitnilice, i u tom položaju osiguraj postojećim klinovima (slika 4, poz. C).
6. Pričvrsti prednji kraj kardanskog vratila (kraj vratila na kome se nalazi frikciona spojnica) na priključno vratilo rotacione sitnilice i osiguraj ga u tom položaju (slika 4, poz. D).

- Connect the other end of the PTO shaft to the tractor PTO shaft and secure it in this position.



CAUTION: The PTO shaft must be protected, so install it before connecting the PTO shaft to the tractor PTO shaft.

7. Then slowly push the tractor forward or backward from the tractor seat and with the hydraulic control lever in the lower position on the quadrant until the front end of the upper tractor lever (topling) can be secured to the tractor, and secure in that position with the existing wedges.
8. When you have previously attached the tool to the tractor, it is necessary to bring the gear unit shaft to a horizontal position, by extending or shortening the upper tractor lever (topling) as shown in Figure 4.

IMPORTANT: The order of attaching the tool to the tractor should always be done in the same way:

- a) left lower tractor lever
- b) right lower tractor lever
- c) upper tractor lever

8. If necessary, you can extend the lifting levers to the appropriate length for your tractor, ensuring that your tools are not raised too high off the ground when the tractor levers are in the lowest position. This prevents possible damage to the drive mechanism.

IMPORTANT: Once you have finished bringing the shredder to a horizontal position, you can access other settings necessary for the normal operation of the rotary shredder.

9. Using hydraulics, carefully lift the chopper so that the PTO shaft breaking angle is not too large. When you have raised the tool to the highest position this way, check the following:
 - a. whether the cardan shaft rotates freely and whether the joints of the same do not get stuck somewhere.
 - b. whether the PTO shaft is not too stretched.
 - c. check that the PTO shaft rotates freely.
 - d. fasten the PTO shaft to the existing PTO shaft chains.

Repeat the same procedure with the tractor placed so that the tool hangs in the lowest position. You can do this by forcing the tractor with the shredder attached to the ramp so that the tool hangs in the lowest position, while its lowest point is significantly lower than the lowest point of the tractor, as shown in Figure 6.

WARNING: If the PTO shaft in the lowest tool position does not work properly, it is necessary to shorten the tractor lifting levers.

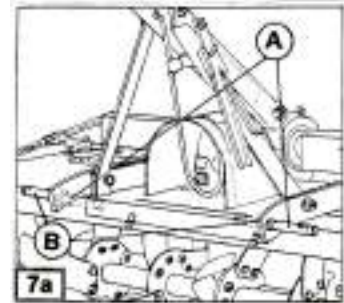


CAUTION: The maximum PTO shaft breaking angle is 30° (see Figure 27). If this angle is exceeded during operation, serious damage can occur to the PTO shaft or the PTO shaft of the tractor. Take special care that the cardan joints do not get stuck anywhere.



NOTE: Failure to comply with the basic requirements for working with the PTO shaft results in a cardan shaft or damage to the rotary chopper.

10. Adjust the lower tractor levers (and stabilizer bars, if using them) so that you limit the lateral oscillation of the tool from only 5 to 10 cm.
When working on sloping terrain, this swinging of the tool must be avoided, so be sure to use stabilizer bars, or fasten tractor levers with tension chains.
11. Mark all these positions of the shredder on the tractor in order to avoid these settings during the next attachment of the tool to the tractor, and in order for the tool to still work properly.
12. If you cannot attach the tractor levers to the chopper, swap the connection points (see Fig. 7a) so that both sleeves are facing inwards.
All other adjustment procedures remain the same.



All rotary shredders manufactured by FPM Agromehnika DOO Boljevac are designed so that they can be attached to all tractors that have a three-point suspension system, regardless of whether they are category I and II tractors.



CAUTION: When attaching the implement to the tractor, take care and strictly follow the instructions given in this manual.

ATTENTION: You have correctly attached the rotary shredder to the tractor if you have fulfilled the following conditions:

1. If you have brought the shaft in the gear unit housing to a horizontal position and the blades on the rotor almost touch the ground.
2. When the distance between the tractor and the shredder is the shortest, the PTO shaft elements may be stretched to such an extent that its elements do not fit completely into each other.
When the chopper is raised to the highest or lowest position, the PTO shaft elements must not fall out of each other.
3. When the shredder is raised to the highest or lowest position, the elements of the joints do not touch each other.
4. If you have brought the shredder to the lateral horizontal position (this is achieved by adjusting the lower tractor levers, the lifting levers and the leveling lever.

DISCHANGING THE TOOL FROM THE TRACTOR

1. Slowly lower the rotary chopper to the ground.
2. . Sitting on the seat, detach the end of the upper tractor lever (topling Fig. 4, item A) from the tractor, moving the tractor slowly forwards or backwards if necessary to make it easier to pull out the axle.
 - Put the axle back in place on the tractor and secure it with a fuse.
3. Remove the PTO shaft front joint from the tractor PTO shaft (Fig. 4, Item E).
4. Detach the right lower tractor lever, where you can also use the leveling lever on the tractor in order to facilitate the whole process of detaching this lever (Figure 4, item D).
5. Detach the left lower tractor lever (Fig. 4, item B).

WARNING: After detaching the tools from the tractor levers, replace the fuses in their places on the levers, so that they are not torn off while the tractor is moving.

ADJUSTMENT AND MAINTENANCE



CAUTION: When adjusting the rotary chopper, remove all objects. Foreign objects and parts may be discarded to persons standing nearby.



CAUTION: Before carrying out any work on adjusting or adjusting the tool, switch off the PTO shaft and switch off the tractor.

Rotary shredders manufactured by FPM Agromehanika DOO Boljevac provide better quality of work and have a longer service life if they are properly handled and maintained. Therefore, follow the instructions given in this manual to get the maximum performance and quality of work from the tool.

Worn and damaged parts, be sure to replace with original parts of FPM Agromehanika DOO Boljevac, thus ensuring high quality and accurate assembly during replacement.

KNIFES AND QUICKLY REPLACEABLE ROTORS

- The rotors and cutting knives are made of very high quality at the factory. The knives are made of special alloy steel that is tough and wear-resistant, so they have a long service life.
- The blades are made for the conditions that correspond to the existing condition of the driving machines (tractors) and the conditions in which these machines should work, as follows:
 - working speed in the range of 0.6 - 1.0 m / s
 - section length in the range of 0.05 - 0.10 m, maximum up to 0.15 m, which, depending on the type and condition of the soil, humidity and purpose of the cultivated area, gives good quality of cultivated land.
 - operation without shock, vibration and tractor overload.
 - rotor speed with blades 200 min⁻¹

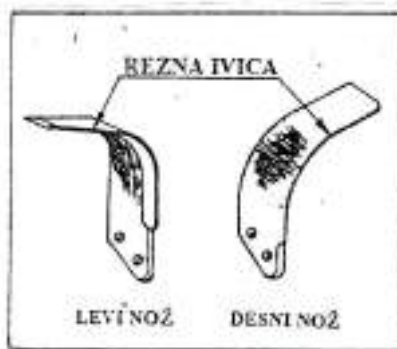


Figure 8. Left and right knife

The knives must be adjusted correctly. If this is not the case, the knife wears out quickly and the quality of the tool is poorer. Knives that are more damaged during operation should be replaced.

The rotary chopper is supplied with properly mounted blades on the rotor. However, if there is a need for the knives to be attached to their holders on the farm itself, perform the procedure as follows.

Determine which are the left and which are the right knives (see Figure 8). Then fasten them to their brackets with screws. Each section carries 2 left and 2 right knives (Figure 9, arrangement of knives on rotor supports).



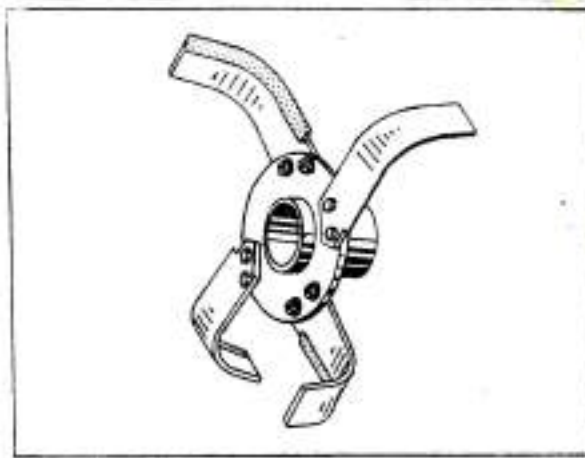
DANGER:: Replacing cutting blades is a dangerous operation, be careful.



CAUTION: To avoid damaging or breaking the cutting blades, limit the tractor speed to 6 ÷ 8 km / h during operation.



DANGER:: Knives catch stones and other foreign objects during work, and therefore children or domestic animals must not be near the work of the teat.



**Slika 9. arrangement of knives
2L + 2D**

When the knives are properly attached to their brackets then all the left knives are moved forward by a certain distance. In this way, the blades are arranged in a single spiral, as seen in Figure 10. The arrangement of the blades on the rotor (spiral), the shape and size of the blades, affect (with respect to the angle of entry into the soil) the resistance and uniformity of tillage across the width and in depth, as seen in Figure 10.

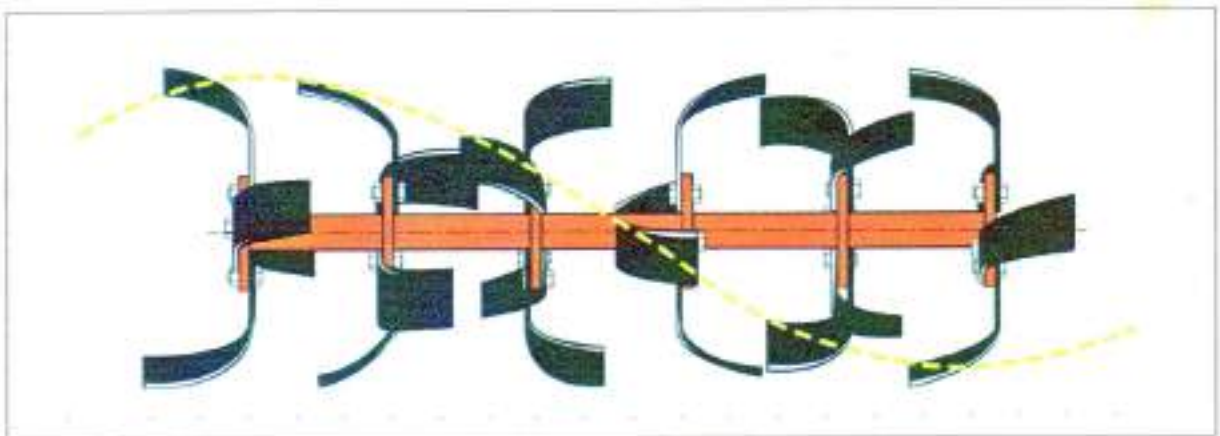


Figure 10. Knives arranged in a spiral

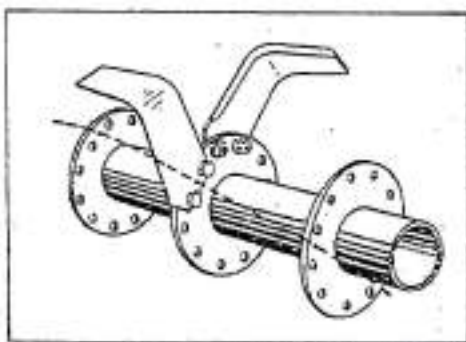


Figure 11. Screw heads



WARNING:

When mounting the knives, the screw heads should rest on the knives, and the spring washers should be located under the nuts on the opposite side of the knife holder (as shown in Figure 11).



IMPORTANT:

Use only original screws of strength class 10.9 and tighten them to 120 Nm and secure with glue.

SIDE TRANSMISSION OIL REPLACEMENT

After every 500 hours of operation of the rotary chopper, remove the cover from the transmission housing and thoroughly clean it. First, loosen all the screws that secure the chassis cover to its back panel. At the same time, it is possible to drain the oil from this housing, since there is no special opening for draining the oil on it. Carefully remove the housing cover, taking care not to damage the seal. Then rinse the housing well with petroleum. Also wash the chain and sprockets well. When you have finished all this, you need to fasten the cover to its back plate again, making sure that dust and dirt do not get inside the case. To make it easier to place the seal, apply technical grease to the seal when attaching the cover. Then pour 0.8 liters of oil through the filler hole (see figure 12, hole A) so that the oil level reaches the oil control (see figure 12, hole B).

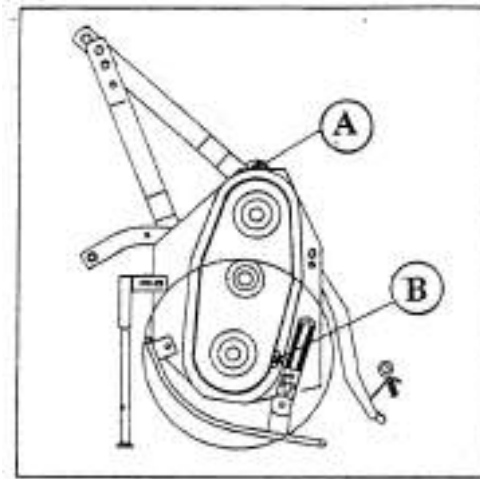


Figure 12. Transmission housing
 A - Oil filler hole
 B - Oil level controller

GEAR OIL REPLACEMENT



Figure 13. Gearbox housing
 A - Oil filler hole
 (measuring rod)

First, unscrew the plug (Fig. 13, item A) which is used for filling and draining the oil, which enabled the oil to drain from the gearbox housing. It is best to drain the oil immediately after the tool is finished, since the oil is still warm, and the sediment in it has not yet settled. Before you put the cap back in place, it is necessary to pour 0.4 liters into the case. oils.

USE TO OIL CHANGE

MANUFACTURER NAME	OIL MARK
LUBRICANT FACTORY KRUSEVAC	FAMHIPO 90 EP
BELGRADE REFINERY	HIPOL B
SHELL	E.P.80
AGIP ROTRA	MP SAE 85W/140

- or oil from other manufacturers that meet the specification
- MIL - L 21 05 B
 - API - Service GL 5
 - - - - -JUS B. H3: 303 MP - 5

DEPTH ADJUSTMENT DEVICE

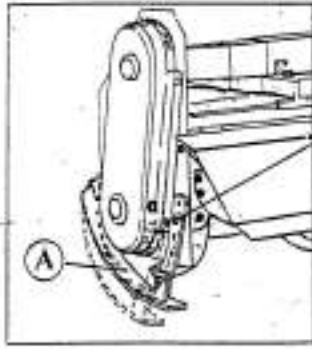


Figure 14. Setting with left slipper

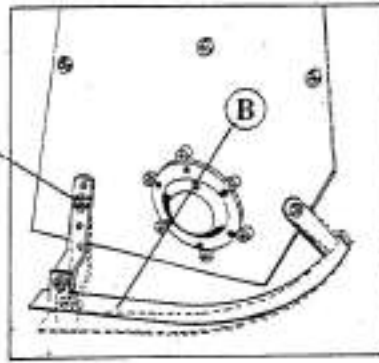


Figure 15. Setting with right slipper

The left and right slippers are used to adjust the working depth (see Figures 14 and 15).

Release the adjusting screw (Figures 14 and 15, pos. 1), raise or lower the slippers (A) and (B) to the desired height, and then retighten the adjusting screw.

When adjusting the height with the slippers, both the left and right slippers (A) and (B) must be set to the same height.

WORK WITH ROTARY CUTTER

When the shredder is properly attached to the tractor and the intended lubrication has been carried out, it is completely ready for operation and you can start it.

Raise the working depth adjustment slippers so that you achieve the desired depth of operation of the first pass tool. Start the tractor engine, lift the tool off the ground hydraulically. Then switch on the tractor PTO shaft, let the impeller rotate for a while at low speed to allow oil to spread in the gearbox housing and in the side gearbox.

Before you start working, increase the shaft speed to 540 rpm.



ATTENTION: BEFORE YOU START WORKING, REMOVE STONES AND HIDDEN OBSTACLES FROM THE FIELD.

Then select a lower gear, drive the tractor slowly forward while lowering the implement to the working position at the same time, using the hydraulic control lever. The tractor drives like that for a few meters and then stops it. Immediately switch off the PTO shaft. Look at the quality of the work of the tool and determine whether the desired depth of work has been achieved. If you are not satisfied, adjust the appropriate working depth with the left and right slippers (see Figure 14 and Figure 15).

Also look at and establish the quality of the soil shredding and, if necessary, adjust the position of the trailer to achieve the appropriate particle sizes.

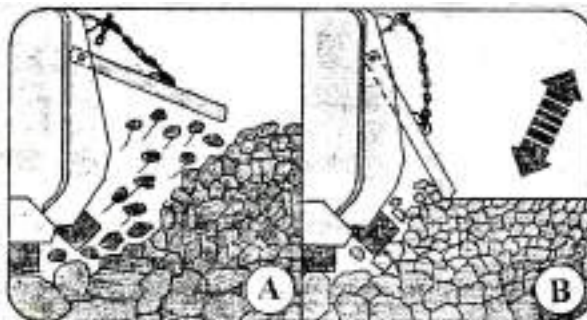
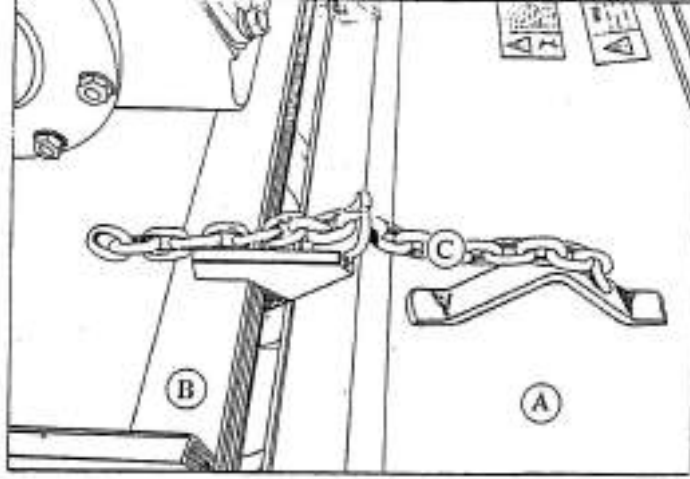


Figure 16. Different positions of the shredder trailer different degrees of soil shredding are achieved



The adjustable trailer has other tasks in addition to driver protection. The trailer (A) is suspended on the upper lining (B) at the rear of the shredder (see Fig. 17), it has a chain carrier on it (C in Fig. 17). This chain is used to adjust the height of the trailer.

Figure 17. Adjustable trailer

ADJUSTABLE TRAILER

The ability to place the trailer in the desired position provides the following:

- a) 1. Achieving different soil particle sizes is the first advantage of this trailer. When using trailers for this purpose, the type or structure of the ground must also be taken into account. With the help of a chain, the trailer is raised to different heights, but you must know the following:
 - b) b) The higher the trailer is raised (see Figure 16 - A), the larger the soil particles. On clay soil types, this position of the trailer prevents soil from sticking around the rotor and on the inside of the trailer.
 - c) The lower the trailer (see Figure 16 - B), the finer the soil particles become, as the ground hit by the blades hits the inside of the trailer with greater force.
 - d) d) Sometimes the affected layer of earth makes two circles around the rotor before being reassembled, on the ground. This enables better aeration of the soil and the cultivation of frozen soils.
2. e) If you work with the trailer raised, the tractor requires less power. If you increase the rotor speed at the same time, you provide a thicker layer of cultivated land. The soil layer prepared in this way is especially suitable for accumulating moisture in the soil from precipitation in the winter months or eliminating the bad consequences of soil erosion.
3. 3. When the trailer on the shredder is completely lowered, very fine soil particles are formed and the soil prepared in this way is very suitable for sowing small, vegetable seeds. This position is achieved by hanging the trailer for the rear link of the chain from the carrier. With such a position of the trailer, the treated surface is flat at the same time (see Figures 16. A and B).
4. Raised trailer to the highest position allows repairs, adjustment, easier cleaning and similar work.



DANGER: Never attempt to clean and remove material from the shredder, or make adjustments while the shredder is in operation. Switch off the tractor and wait for the rotor to stop.



ATTENTION: Stop and think: rotating elements (rotor and knives on it) can be the cause of serious injuries.

If you want to achieve the maximum working depth with your shredder, you must have a tractor of the appropriate power (check the table SPECIFICATION OF TECHNICAL CHARACTERISTICS on page 14). The maximum depth is 20 cm, you can achieve it by having to cross the same surface twice with the tool. First, he works with the tool at a depth of 12.5 cm. With repeated passage, you can reach a full depth of 20 cm. You have to cross twice because the lower end of the transmission housing does not allow the working bodies to go to full depth immediately, but you can do it again in the pass, when the soil has been previously shredded. Namely, the lower part of the transmission housing is protected from wear by a suitable slider. Work to a depth of 12.5 cm can be done in one pass. You continue working with your tools until the tractor comes out on the headland. Then you have to use the hydraulic control lever to lift the chopper, turn the tractor and continue working in the same way on the way back.



DANGER: When transporting the rotary chopper with the tractor to the work site and back, it is necessary to switch off the tractor PTO shaft beforehand.



CAUTION: Before you start transporting the rotary chopper, make sure that the chopper is safe to transport and meets the rules of transport on public roads.

USEFUL TIPS, FOR YOU

Shallow processing depth

- Adjust the left and right sliders.
- Shift to a lower speed, move slower. (Tractor power may be insufficient).
- The soil is too hard, additional cultivation is needed.
- Knives roll on the ground instead of cutting. Move even slower.

The ground is too fragmented

- - Raise the ground leveling attachment (see section: Adjustable trailer, page 23).
- - Increase speed.

The earth is not fragmented enough

- Lower the adjustable trailer

- - Reduce the speed of the tractor.
- - He doesn't work in a field that is too wet.

Clogged rotor with hoes

- - Soil moist for work
- - Lift the adjustable trailer
- - Reduce speed

The shredder shakes or vibrates

- - Foreign body stuck between the knives.
- - Damaged or broken knives.
- - Knives incorrectly placed - do not have a spiral shape.
- - Knives incorrectly placed - penetrate the ground with the blunt side.
- - Deformed rotor during operation due to impact on foreign bodies (stone, stump).

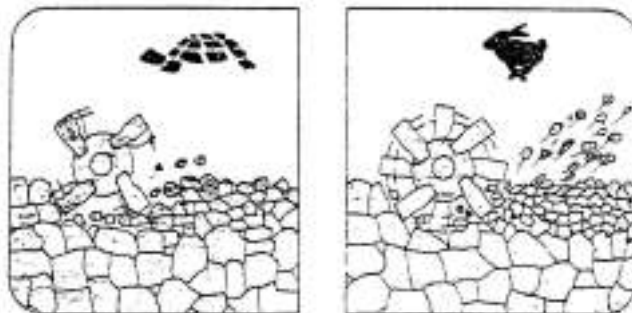


Figure 18. Changing the rotor speed

LUBRICATION

This section is of the utmost importance to you, and therefore you should study it well. If you regularly maintain and lubricate your tools, you ensure economical operation and great performance.



CAUTION: Before undertaking any interventions on the tool, stop the operation of the engine, and only then start lubrication and maintenance.

IMPORTANT: It is very important to properly lubricate the transmission elements in order to meet strict operating requirements even in the most difficult conditions. Change the oil after every 500 hours of operation, or at least once a year. For oil change, see the recommendations given in the section "Changing the oil in the gear unit" (page 21).

LUBRICATION: The Tekalemite pump filled with SAE 90 oil should be lubricated regularly with the rotor shaft assembly (see Fig. 19, item A). Before you start lubricating with lubricators, you need to remove dust from them with a cloth.

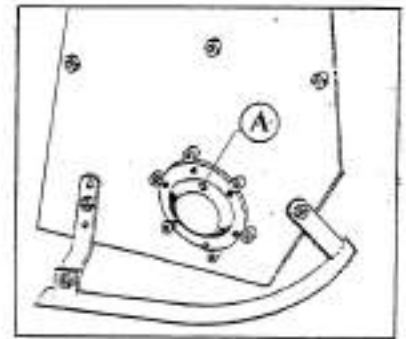


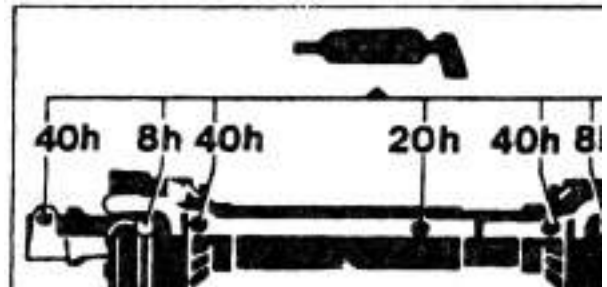
Figure 19. Lubrication of the rotor shaft

Before you use a new tool for work for the first time, you should check the oil level in the housings, if there is too much of it, drop it to the intended level. The rotary chopper should be on a flat surface, the tips of the blades should only lightly touch the surface, and the gearbox shafts should be in a horizontal position.

LUBRICATION

Controls the lubrication of the place with built-in lubricators and other sliding surfaces.

A good degree of lubrication is achieved every eight hours of operation. Wipe surfaces of earth and dust before lubrication. Lubricate rotating and articulated parts every fifty hours. Lubricate all parts that move in each other (telescope) as needed.



Slika 20.

- 1.- Lubricator on the front joint - every 8 hours
- 2.- Turning part of the lining on the front part of the cardan shaft - every 40 hours
- 3.- Internal telescopic part of the tube - every 20 hours
- 4.- Turning part of the lining on the rear part of the cardan shaft - every 40 hours
- 5.- Lubricator on the back joint - every 8 hours
- 6.- Locking pin on the front and rear - every 40 hours
- 7.- Clean all parts of the shaft when it has been out of use for a long time

If you follow this lubrication plan, you will achieve a longer shaft life. With careful maintenance, you avoid malfunctions, which can occur due to heating of the bearing, damage to the bearing or increase in axial force. Lubricate the PTO shaft in the marked place, only with quality lubricating grease.

LUBRICATE ALL ROTARY, SLIDING AND JOINT JOINTS ON THE CRUSHER FRAME.



WARNING: ALWAYS KEEP IN MIND THAT YOU SHOULD USE THE PRESCRIBED QUALITY OF OIL, SO THAT THE MACHINE IS NOT DAMAGED AGAINST YOUR WILL. WITH PROPER AND REGULAR LUBRICATION, YOU WILL ENSURE UNINTERRUPTED AND SAFE WORK WITH YOUR CRUSHER.

ADJUSTMENT AND MAINTENANCE

Check that all screws on the blades are tight and tighten to 85 Nm if necessary. Regularly check the tightness of all bolts and nuts on the transmission housing, on the tool pyramid and on the rotary shredder frame.

Replace broken or damaged blades.

Sharpen the damaged cutting edges of the knives. Sharpening of the cutting edges of the knives is possible as long as the hardened blade lasts, provided that the intended angle of the cutting edge is maintained.

Worn and damaged parts, be sure to replace with original parts FPM Agromehanika DOO Boljevac, thus ensuring high quality and accurate assembly during replacement.

TIGHTENING TORQUE REQUIRED

	6.6	8.8	10.9	12.9
M 8x1	15	26	36	44
M 10x1,25	30	52	74	88
M 12x1,25	51	91	127	153
M 14x1,5	81	143	201	241
M 16x1,5	120	214	301	361
M 18x1,5	173	308	433	520
M 20x1,5	242	431	606	727
M 22x1,5	321	571	803	964
M 24x2	411	731	1028	1234



DANGER: Use original parts produced by FPM Agromehanika DOO Boljevac.



CAUTION: Before carrying out any work on adjusting or adjusting the tool, switch off the PTO shaft and switch off the tractor.



CAUTION: REGULARLY CHECK THE TIGHTNESS OF ALL SCREWS, NUTS, ESPECIALLY ON THE ROTOR WITH BLADES.



CAUTION

- 1. IT IS YOUR CARE TO PROTECT AND KEEP THE CUTTER, SO IMMEDIATELY REPLACE ALL WEAR AND DAMAGED PARTS WITH ORIGINAL PARTS FPM AGROMEHANIKA DOO BOLJEVAC.**
- 2. ALL WORKS ON LUBRICATION, CLEANING, ADJUSTMENT AND ADJUSTMENT MUST BE PERFORMED ONLY WHEN THE TRACTOR IS TURNED OFF AND THE PTO SHAFT IS TURNED OFF.**
- 3. WAIT FOR ALL MOVING ELEMENTS TO STOP, AND START SERVICING THE ROTARY CRUSHER.**
- 4. KEEP YOUR HANDS, LEGS AND CLOTHES FROM THE MOVING PARTS OF THE CUTTER.**
- 5. THINK ABOUT THE CONSEQUENCES OF IRRESPONSIBLE WORK BECAUSE THEY ARE UNRECOVERABLE.**
- 6. BEFORE YOU START THE TRACTOR AND START WORKING, MAKE SURE THAT OTHER PERSONS AND ANIMALS ARE NOT IN THE WORK AREA OF THE CUTTER.**



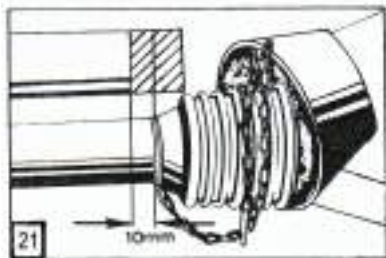
ATTENTION: STOP AND THINK! ROTARY ELEMENTS CAN CAUSE SERIOUS BODIES.

JOINT COUPLING - PTO SHAFT

It is very important that the PTO shaft is properly adjusted when attaching the shredder to the tractor. Under no circumstances should the PTO joints, when the tool is raised to the highest or lowest position, get stuck together. The cardan shaft has a friction (lamellar) coupling. When mounting, make sure that the coupling is on the side of the shredder so that the shredder can be put into operation.

If you state that the PTO shaft is longer and cannot be attached to the tractor, it is necessary to shorten it. The following figures show an example of a PTO shaft shortening.

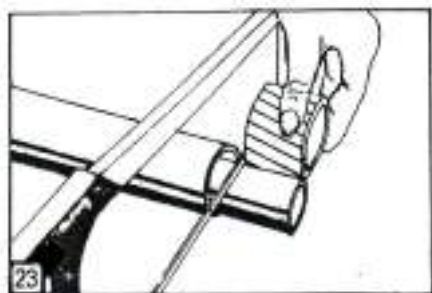
1. Attach one PTO shaft half to the tractor and one to the chopper, hold the halves side by side, and by different adjustment of the tractor and chopper determine the length of 10 mm and mark on the guard, Fig. 21.



2. Cut off the protective lining, see Figure 22.

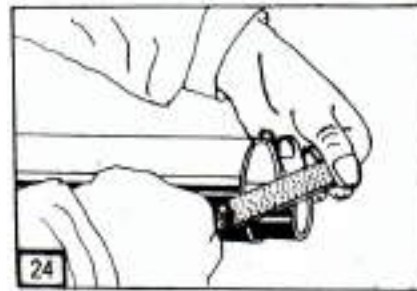


3. Cut the profile pipe, Figure 23. Further alterations to the lining or profile pipe are not permitted.

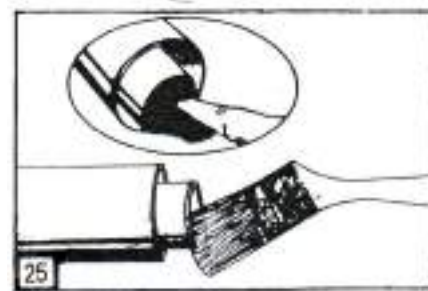


WARNING: FAILURE TO COMPLY WITH THE BASIC REQUIREMENTS FOR WORKING WITH THE PTO SHAFT RESULTS BREAKING THE PTO SHAFT OR DAMAGE TO THE ROTARY CUTTER

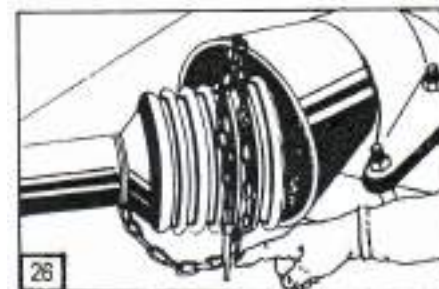
4. Bend sharp sharp edges, Figure 24.



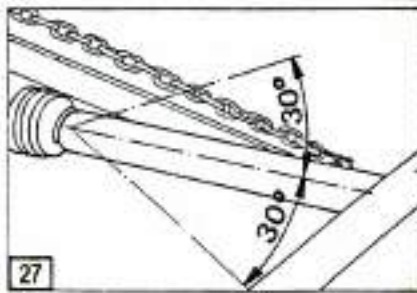
5. Clean and lubricate, Figure 25. Connect the cardan shaft to each other and you're done.



6. The cardan shaft cover must never be removed or rotated during operation. Attach the liner retaining chain to the shredder shaft guard, Fig. 26.



7. The maximum permissible PTO shaft angle must be less than 30°, Figure 27.



CAUTION: ALWAYS BE CAREFUL WHEN OPERATING THE PTO SHAFT AT THE ROTARY CUTTER.

ADJUSTING THE MOVABLE MECHANISM

The rotary chopper has a movable mechanism that allows the machine to move to one side or the other in relation to the tractor axle. This allows the soil to be cultivated as close to the crops as possible.

Move - the adjustment is performed as follows:

- loosen the two screws that secure the movable frame
- the movable frame "three points" moves to the desired side (the OK shaft is protected by a folding sheet)
- Retighten the fixing screws on the movable frame.

The shredder is ready to work!

Maximum displacement values to one side or the other and for different chopper operations are given in the table in Figure 28..



TYPE			
	m	m	m
LPF 165 (FPM 619 091)	1,65	39	126
		80	85
LPF 145 (FPM 619 992)	1,45	39	106
		70	75
LPF 125 (FPM 612 729)	1,25	39	86
		60	65
LPF 105 (FPM 619 982)	1,05	39	66
		50	55

Figure 28. Position of the shredder rotor towards the rear wheels of the tractor.

STORING THE TILLER

- If you do not use the shredder for a long period of time, then completely clean all parts that came in contact with the ground from the glued earth, and you should also keep in mind the inside of the sheet metal shield and trailer.
- Wash all tools thoroughly after cleaning.
- Drain the oil from the gear unit and side gear unit and fill them with clean oil to the appropriate level. (Dispose of the old oil - discard and abide by and respect the law on environmental protection).
- Carefully remove all excess oil with a cloth.
- Tighten all screws and nuts on the tool.
- Clean rusty surfaces and exposed areas and coat with protective paint.
- Raise the tool on a wooden stand placed under a canopy or in a special dry room.
- If you have done the previous operations carefully, the machine is mobile and ready for use in the next working season.

STORING THE PTO SHAFT -

- It is necessary to check the PTO shaft coupling at least once a year, preferably at the end of the working season.
 - Check the permitted safety torque at the nearest service center.
- When checking the coupling, be sure to use the instructions for use of the PTO shaft that came with the PTO shaft.



FPM AGROMEHANIKA DOO
Đorđa Simeonovića 25
19370 Boljevac – Srbija

DECLARATION OF CONFORMITY

We,

FPM Agromehanika DOO,
Djordja Simeonovića 25, 19370, Boljevac, Srbija

we hereby declare, as manufacturers, under our responsibility, that it is a product

Type: Side-Shifting Rotary Tillers

Model:	LPF 085	FPM 619.996 - working width 0,85m
	LPF 105	FPM 619.982 - working width 1,05m
	LPF 105	FPM 619.271 - working width 1,05m
	LPF 125	FPM 619.729 - working width 1,25m
	LPF 125	FPM 619.226 - working width 1,25m
	LPF 145	FPM 619.992 - working width 1,45m
	LPF 145	FPM 619.272 - working width 1,45m
	LPF 165	FPM 619.091 - working width 1,65m
	LPF 165H	FPM 619.161 - working width 1,65m

The year of production: 2021

as well as in accordance with the requirements set out in the **European Directive 2006/42 / EC (for machines)**.

The product complies with the following technical standards:

- SRPS EN ISO 12100:2014
- SRPS EN ISO 13857:2020
- SRPS EN ISO 4254-1:2016
- SRPS EN ISO 4254-5:2018
- EN 1553:2000
- SRPS ISO 11684:1999
- SRPS EN ISO 11201:2014

At Boljevac,
08.02.2021.

Potpis odgovorne osobe:
GENERALNI DIREKTOR
Bratislav Rajić, maš.ing



WARNING FOR YOU, USER

It is very important that the PTO shaft that you connect to your shredder has the prescribed dimensions. Therefore, you need to obtain a PTO shaft with the following characteristics:

- Groove 35 JUS M.L1.601 at both ends of cardan shaft.
- Continuous torque $M_r = 800 \text{ Nm}$.

The cardan shaft is a product of the company "BONDIOLI & PAVESI" and can be purchased under the number:

710 3 061 CE 007 007

or: - cardan shaft of the company "WALTERSCEID" and can be purchased under the number:

W 200E SD 15 610 201000 20100



IMPORTANT: If you do not follow the above warning, the factory is not responsible for damage or breakage of the tractor, PTO shaft or rotary chopper.



CAUTION:

- 1. USE A TRACTOR WITH A SAFETY CABIN TO PROTECT THE DRIVER.**
- 2. NEVER WEAR CLOTHES WHICH MAY FALL INTO THE PTO SHAFT, OR SOME OTHER WORKING PARTS.**
- 3. DO NOT DRIVE OTHERS ON THE TRACTOR OR CUTTER.**
- 4. WE RECOMMEND THAT AFTER EACH WORKING SEASON, YOUR SERVICE OFFICER OF THE FPM AGROMEHANIKA DOO BOLJEVAC FACTORY, CHECK THE CONDITION OF THE CUTTERS, ESPECIALLY KNIFES AND OTHER PARTS.**
- 5. ALWAYS FOLLOW THE INSTRUCTIONS GIVEN IN THIS MANUAL.**

SPARE PARTS LIST

- Operating and maintenance instructions -

- To order spare parts or components, contact the sales department - spare parts.
- Additional equipment or accessories, whose identification number starts with 1, as well as instructions for installation and use, order from the department, sells machines.

The existing images on the following sheets show the machine parts marked with numbers.

The text next to the picture gives: the serial number of the machine part, its identification number, the quantity within the shredder and, if necessary, the dimensions, standard or required tightening torque. This spare parts list is made for two series of shredders and so be careful when ordering parts to order them for the shredder you own. Also pay attention to the additional markings on the sheets.

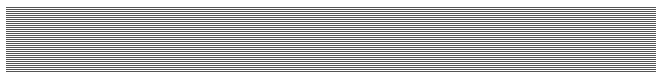
To avoid misunderstandings and incorrect delivery when ordering spare parts, be sure to specify.

- designation and number of tools (series, ()
- number and name of the spare part (determine in this list)
- quantity of required spare parts
- desired delivery method (by mail, express, etc.)
- full address of the ordering party (with postal code)



The series and serial number are imprinted on your tool on the plate shown in the picture.

Warranty cases and other issues cannot be resolved without batch data and serial number. Please enter these numbers here in the original immediately upon delivery of the tool.

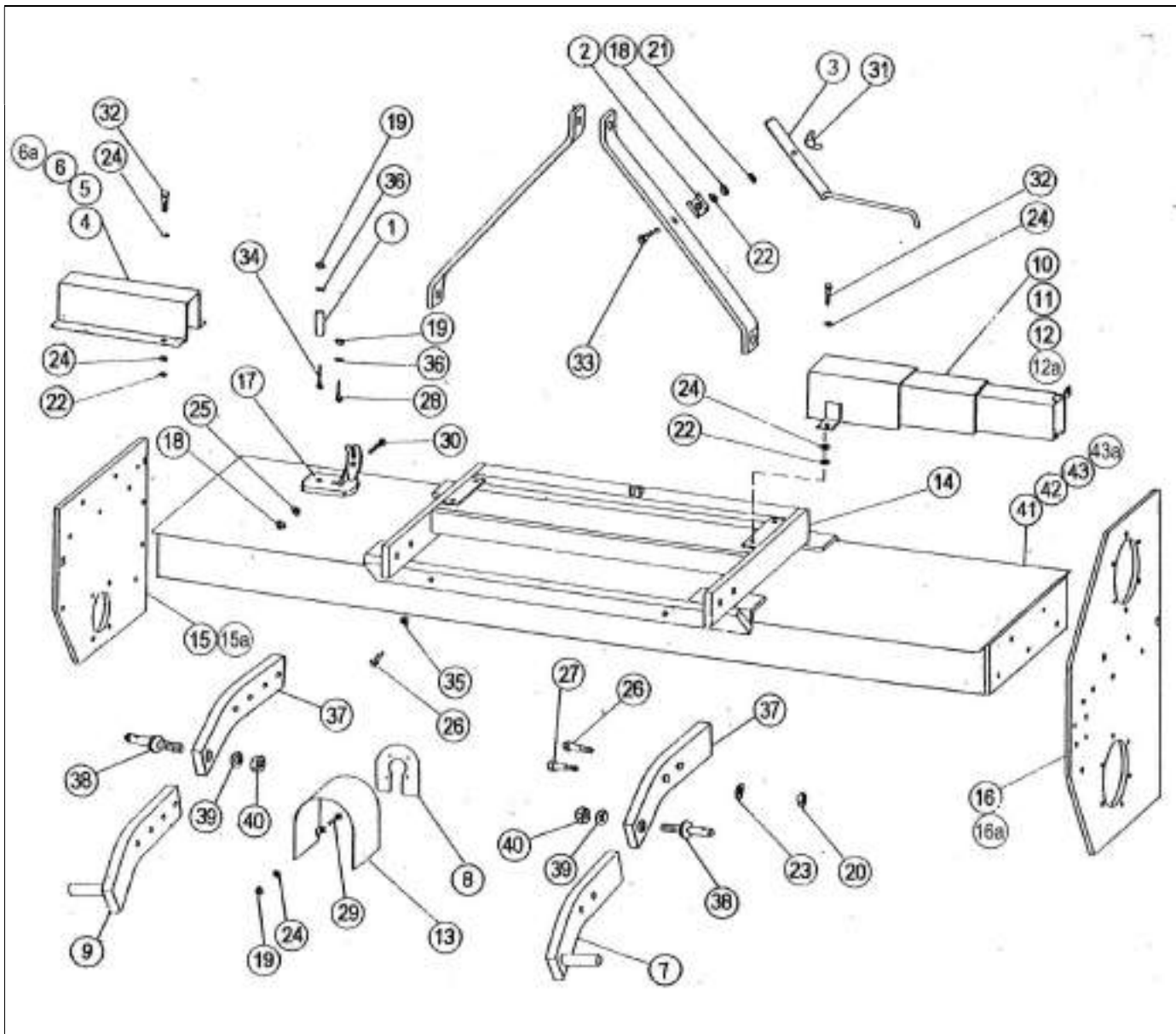


ADOPTED SYMBOLS FOR ABBREVIATED MARKING

DNO	Optional optional equipment
:	for
< >	except
>	from till ...
Zam	replaces
∅	Diameter
> <	Strength (thickness)
T1N	For vineyard tractors
T1	For tractors cat. I
T2	For tractors cat.. 2
T3	For tractors cat.. 3

Q	Number of pieces (quantity) as needed
*	See note
	Direction of movement
	Direction of rotation
	Parts & Components Package
ZA	It is replaced with one or more parts
D.P	It is replaced with one or more parts
DPS	Washer thickness to reduce zaz.

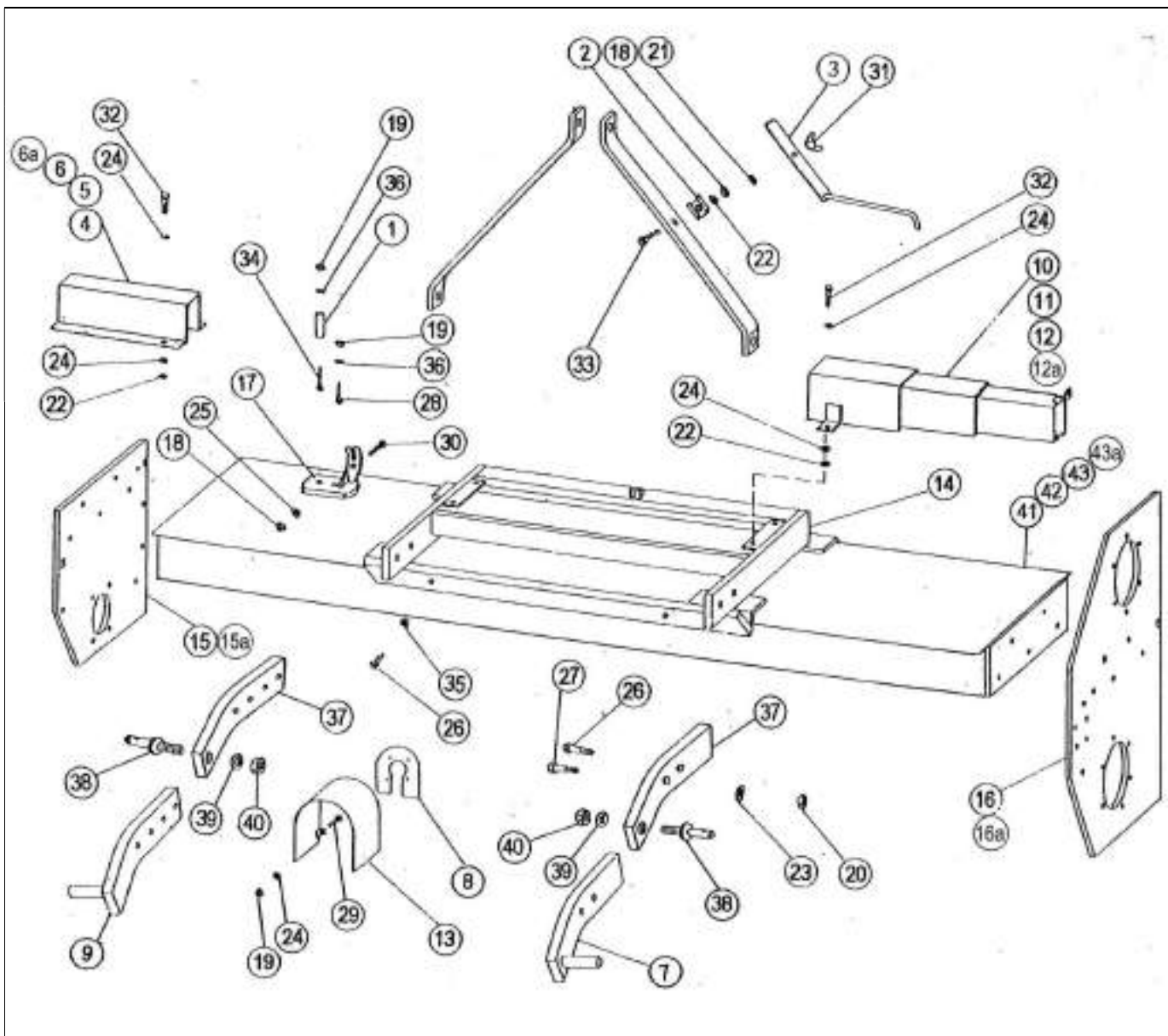
GROUP: SUPPORTING FRAME



IDENTIFIKACIONA NUMERA ZA PORUŽBINU

1	612 01 478	1	
2	619 81 008	1	
3	619 81 045	1	
4	619 81 059	1	L=1,25 m
5	619 81 061	1	L=1,05 m
6	619 81 154	1	L=1,45 m
6a	619 81 340	1	L=1,65 m
7	619 81 080	1	Zam
8	619 81 081	1	
9	619 81 085	1	Zam
10	619 81 100	1	L=1,05 m
11	619 81 105	1	L=1,25 m
12	619 81 105	1	L=1,45 m
12a	619 81 360	1	L=1,65 m
13	619 81 113	1	
14	619 81 114	1	
15	619 81 127	1	
15a	619 81 334	1	L=1,65 m
16	619 81 128	1	
16a	619 81 336	1	L=1,65 m
17	619 81 133	1	
18	000 00 060	2	M8
19	000 00 061	5	M10
20	000 00 062	4	M12
21	000 00 065	1	8
22	000 00 066	4	12
23	000 00 072	4	12
24	000 02 493	12	10
25	000 03 865	1	10
26	000 04 796	4	M12x55
27	000 05 807	2	M12x65
28	000 05 825	1	M10x30
29	000 08 114	3	M10x30
30	000 09 987	1	M8x25
31	000 10 661	1	M8
32	000 10 717	4	M10x16

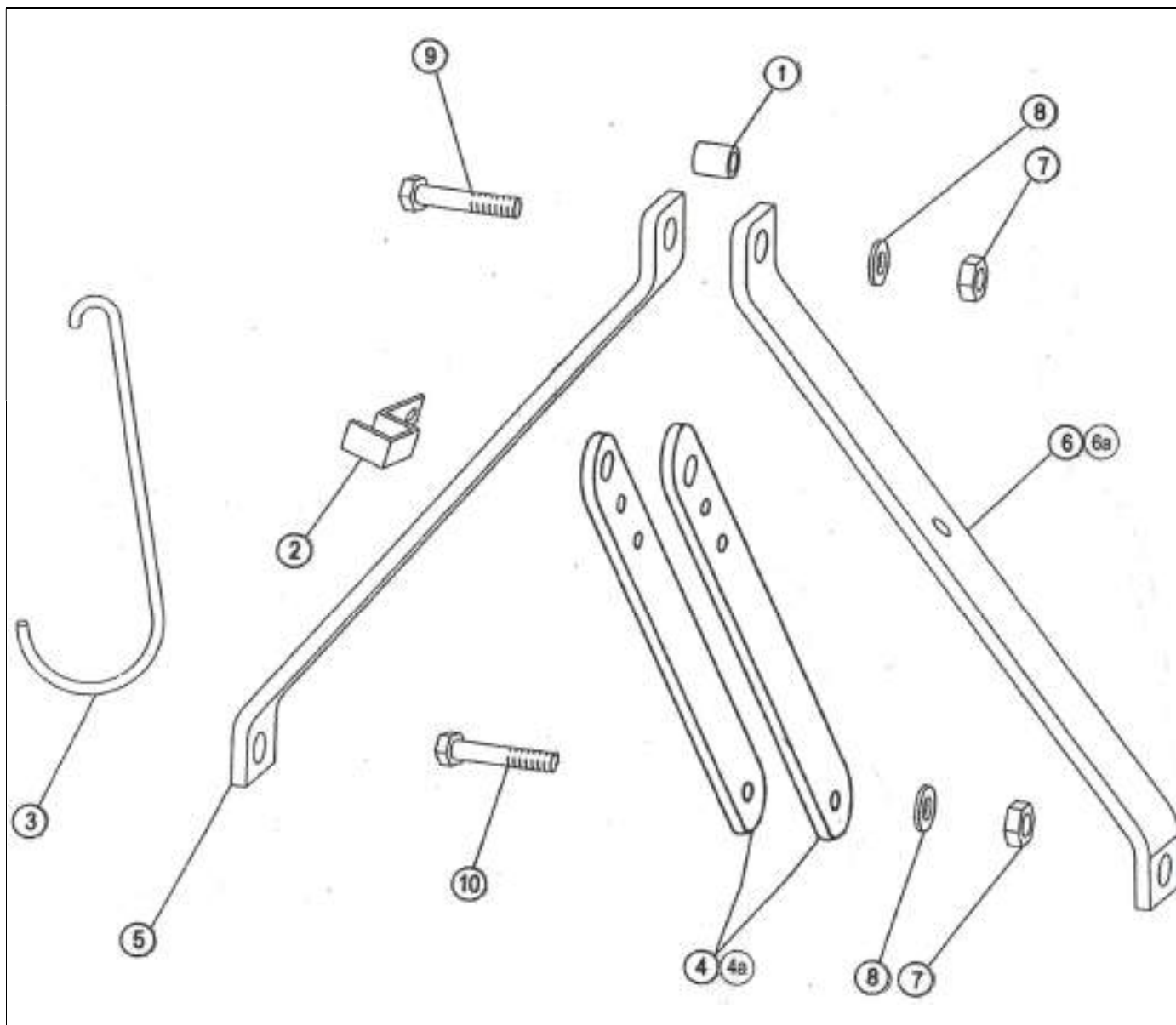
GROUP: SUPPORTING FRAME



IDENTIFIKACIONA NUMERA ZA PORUĐZBINU

33	000 12 870	1	M8x50
34	000 12 923	1	M10x90
35	000 15 122	2	M12
36	000 23 240	2	10
37	619 81 091	2	
38	619 81 046	2	
39	000 05 442	2	20
40	000 04 641	2	M20x1,5
41	619 81 125	1	L=1,05 m
42	619 81 120	1	L=1,25 m
43	619 81 155	1	L=1,45 m
43a	619 81 335	1	L=1,65 m

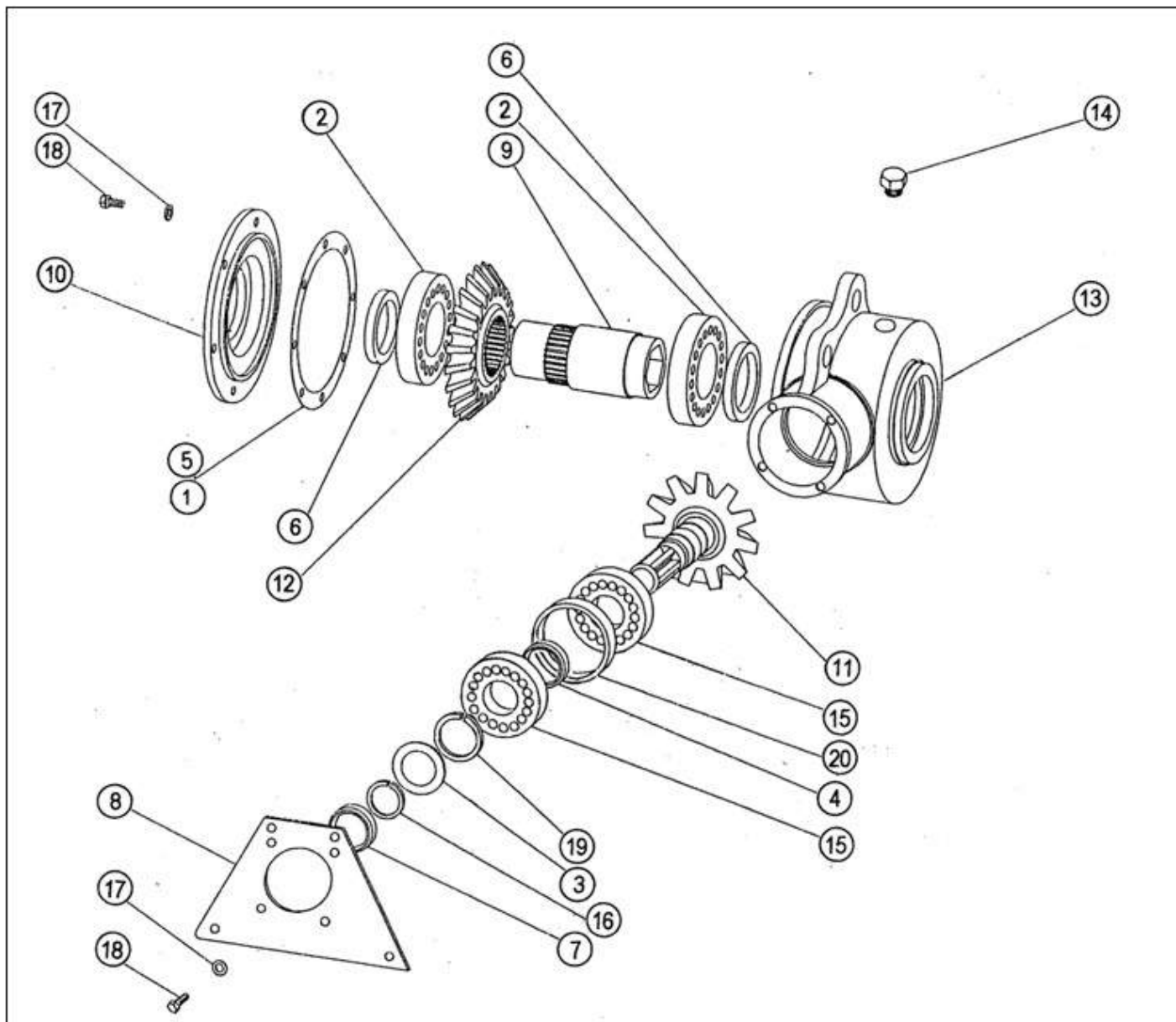
GROUP: PYRAMID



IDENTIFIKACIONA NUMERA ZA PORUDŽBINU

1	612 01 478	1	
2	619 81 009	1	
3	619 81 066	1	
4	619 81 077	2	
4a	619 81 338	2	
5	619 81 078	1	
6	619 81 079	1	
6a	619 81 339	1	
7	000 00 062	2	M12
8	000 00 072	2	12
9	000 07 945	1	M12x100
10	000 08 211	1	M12x80

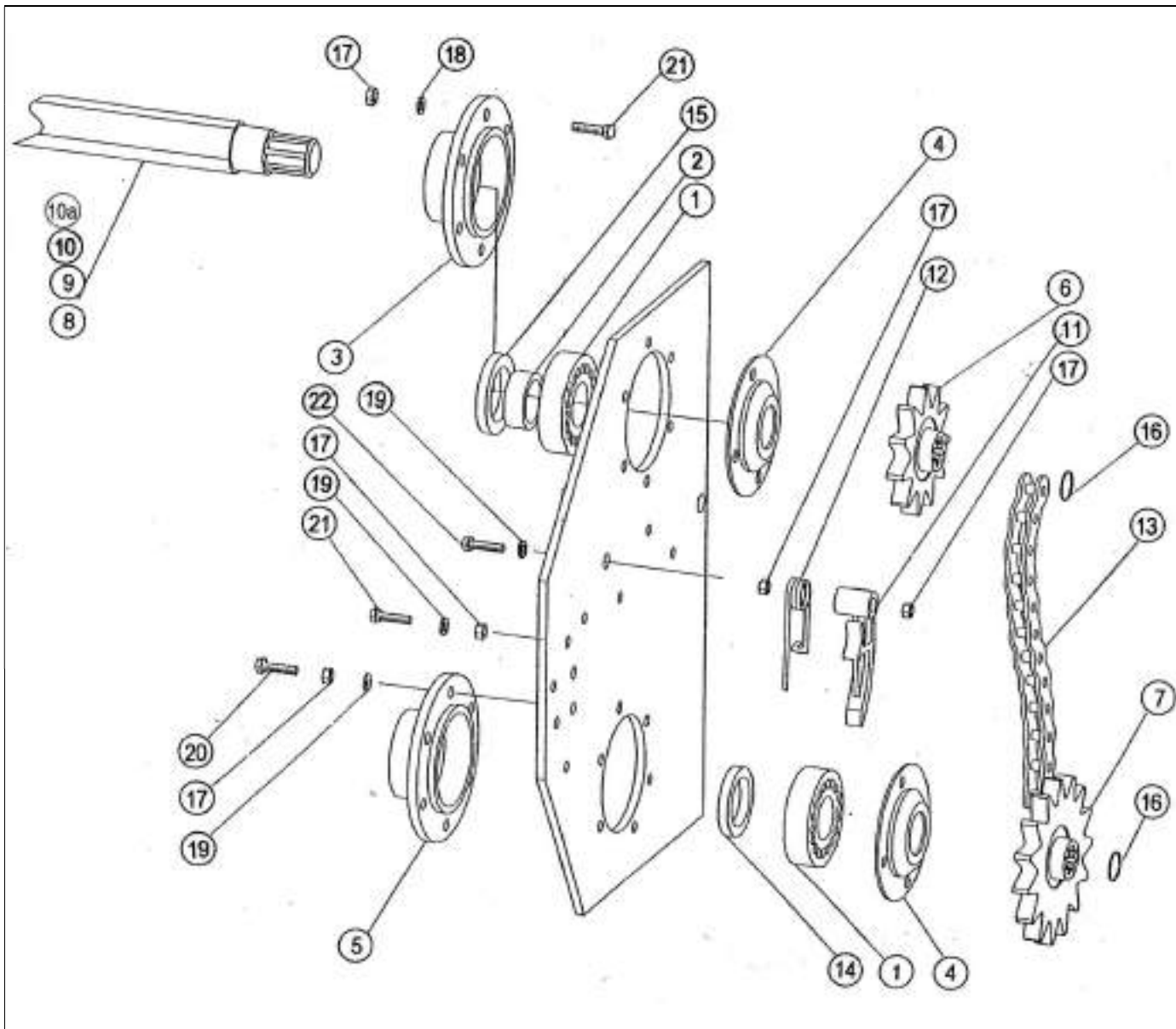
GROUP : GEAR BOX



IDENTIFIKACIONA NUMERA ZA PORUŽBINU

1	619 81 006	1	
2	619 81 014	2	
3	619 81 016	1	
4	619 81 017	1	
5	619 81 018	1	
6	619 81 042	2	
7	619 81 043	1	
8	619 81 082	1	
9	619 81 083	1	
10	619 81 084	1	
11	619 81 103	1	
12	619 81 107	1	
13	619 81 131	1	
14	627 14 624	1	
15	627 14 773	2	
16	850 17 005	1	
17	000 00 071	8	10
18	000 02 191	8	M10x25
19	000 04 233	1	72
20	619 81 152	1	

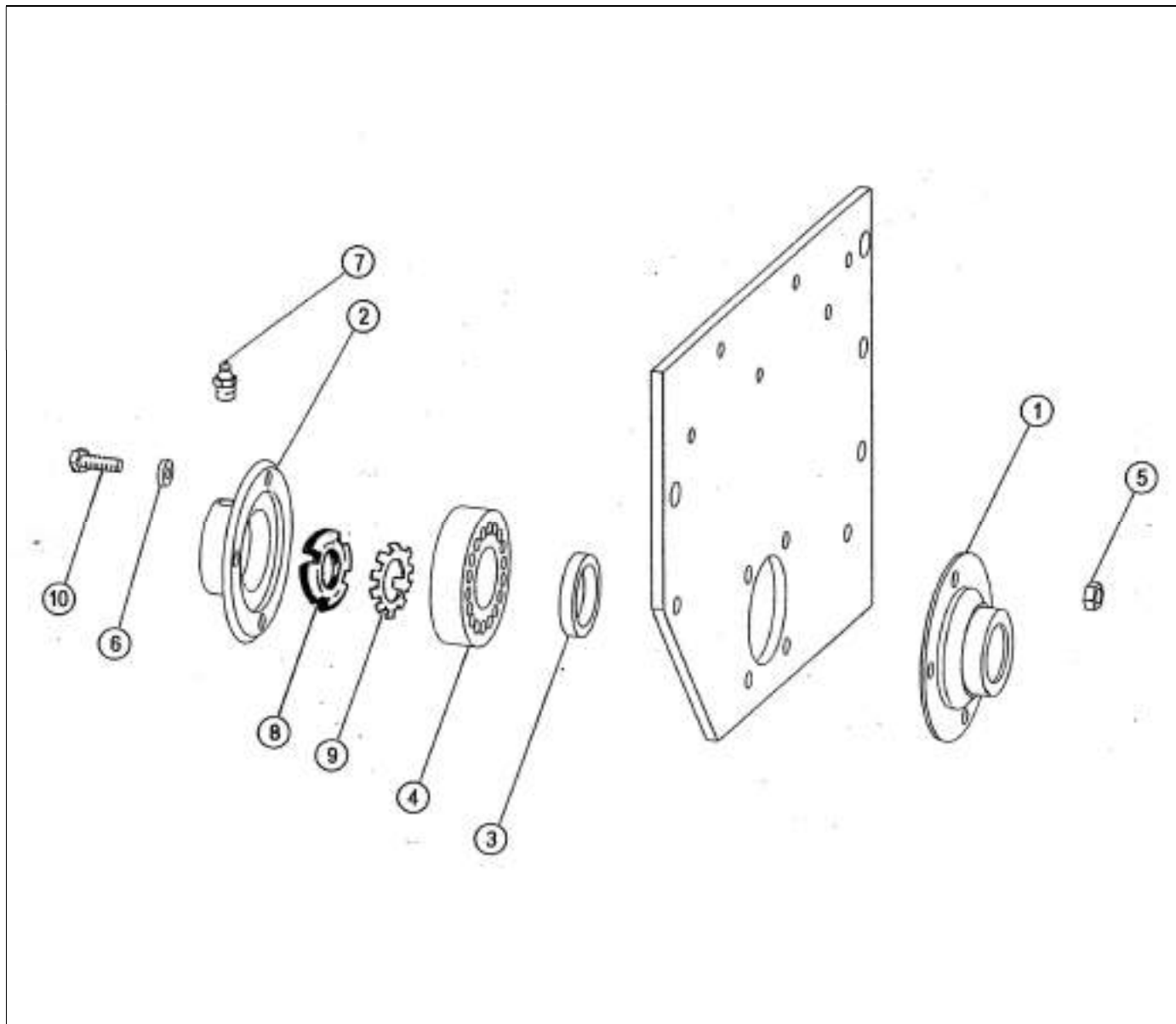
GROUP: SIDE TRANSMISSION



IDENTIFIKACIONA NUMERA ZA PORUĐZBINU

1	619 57 020	2	
2	619 81 036	1	
3	619 81 053	1	
4	619 81 054	2	
5	619 81 055	1	
6	619 81 062	1	
7	619 81 063	1	
8	619 81 069	1	L=1,05 m
9	619 81 071	1	L=1,25 m
10	619 81 157	1	L=1,45 m
10a	619 81 345	1	L=1,65 m
11	619 81 074	1	
12	619 81 076	1	
13	619 81 106	1	
14	619 81 136	1	
15	619 81 142	1	
16	850 17 005	1	
17	000 00 061	12	M10
18	000 00 071	1	10
19	000 02 493	18	10
20	000 08 114	7	M10x30
21	000 12 822	2	M10x45
22	000 15 042	1	M10x60

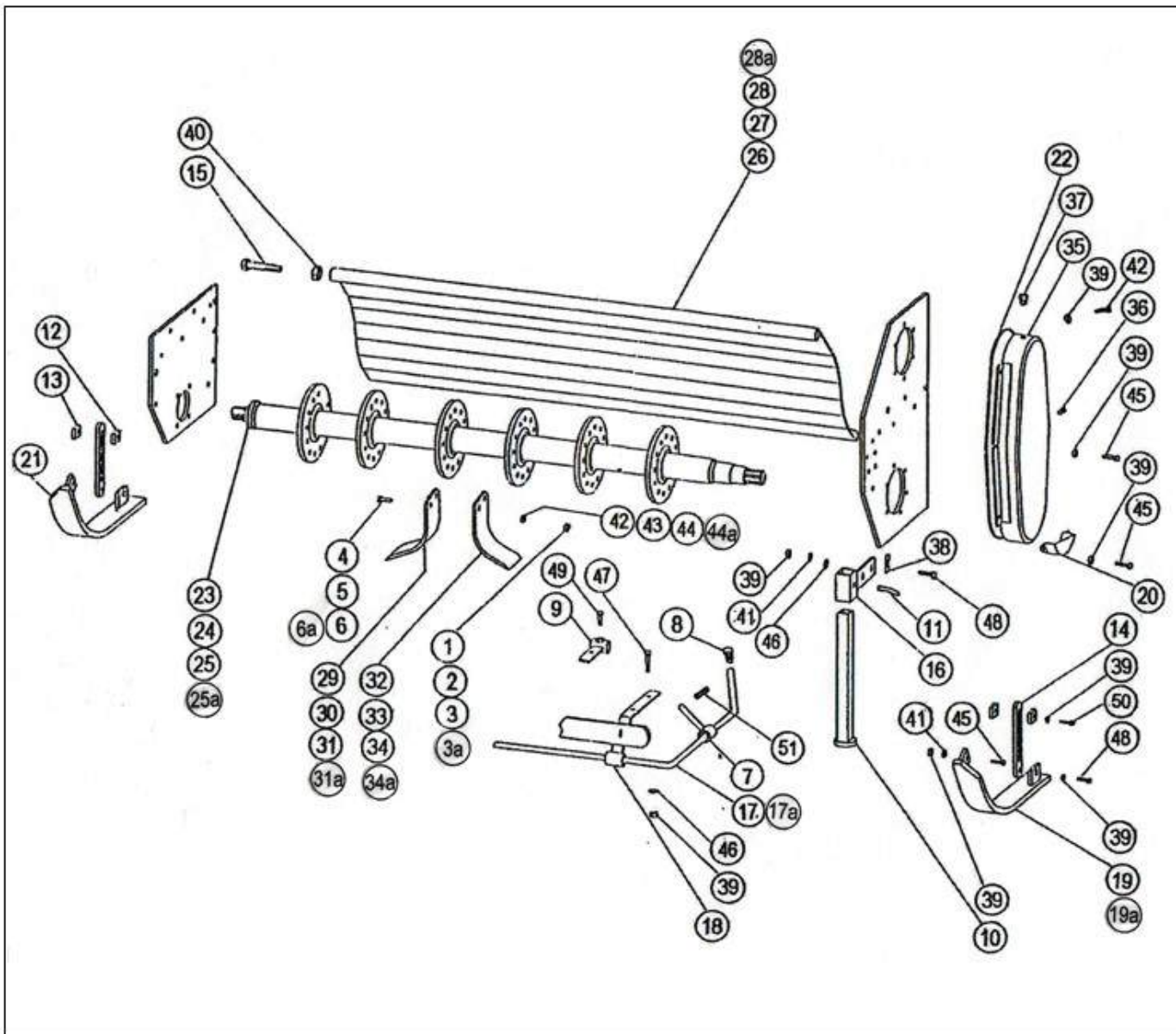
GROUP: SIDE



IDENTIFIKACIONA NUMERA ZA PORUDŽBINU

1	619 81 050	1	
2	619 81 052	1	
3	619 81 136	1	
4	627 14 594	1	
5	000 00 061	4	M10
6	000 00 071	4	10
7	000 02 392	1	AM6
8	000 05 327	1	
9	000 05 336	1	30
10	000 12 881	4	M10x45

GROUP: ROTOR WITH CUTTING BLADES

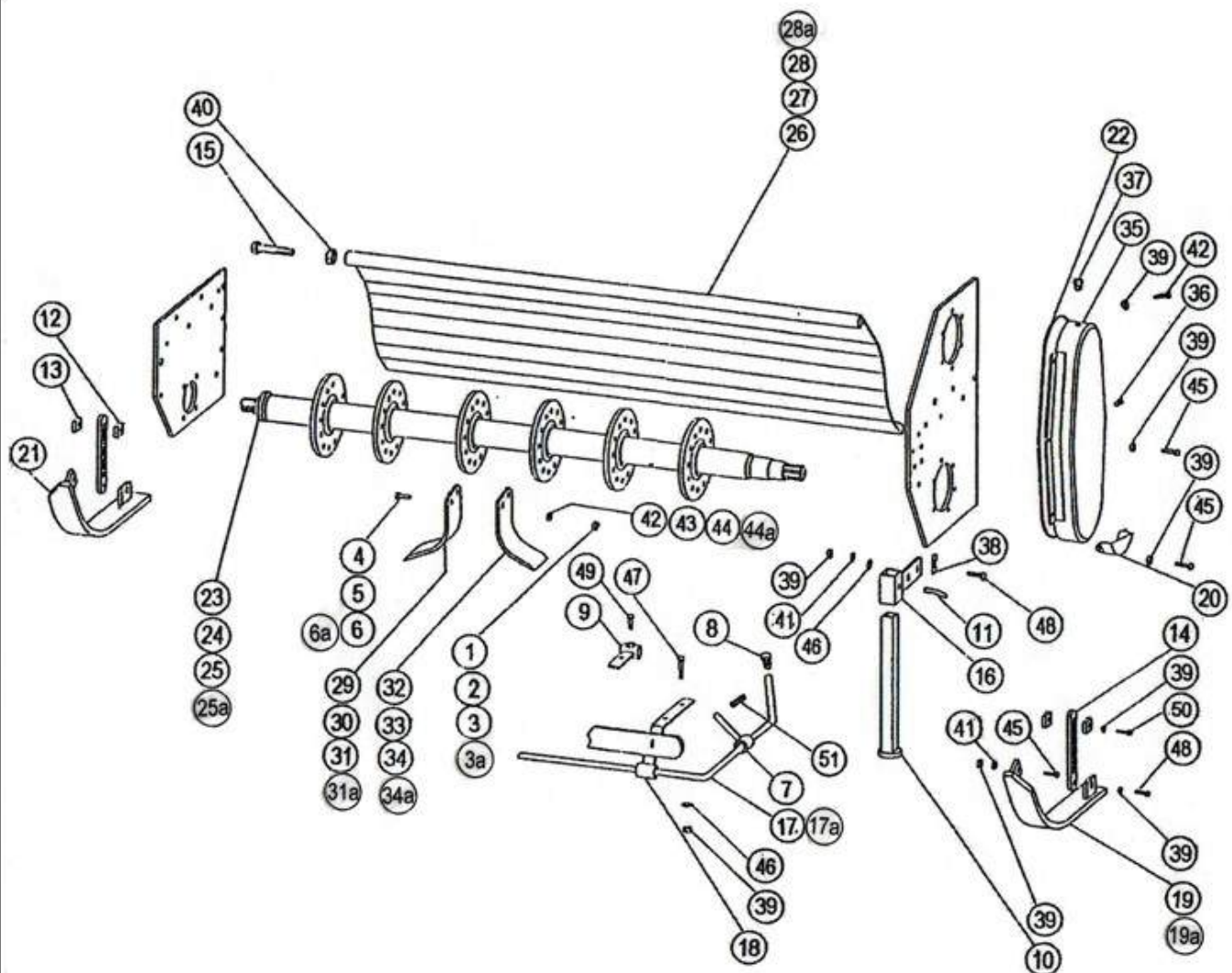


Strana 40

IDENTIFIKACIONA NUMERA ZA PORUŽBINU

1	533 01 407	40	L=1,05 m
2	533 01 407	48	L=1,25 m
3	533 01 407	56	L=1,45 m
3a	533 01 407	64	L=1,65 m
4	612 01 587	40	L=1,05 m
5	612 01 587	48	L=1,25 m
6	612 01 587	56	L=1,45 m
6a	612 01 587	64	L=1,65 m
7	619 81 010	2	
8	619 81 013	4	
9	619 81 020	2	
10	619 81 030	1	
11	619 81 032	1	
12	619 81 033	2	
13	619 81 034	2	
14	619 81 035	2	
15	619 81 037	2	
16	619 81 040	1	
17	619 81 058	2	
17a	619 81 307	2	
18	619 81 060	2	
19	619 81 070	1	
19a	619 81 367	1	
20	619 81 072	1	
21	619 81 075	1	
22	619 81 104	1	
23	619 81 110	1	L=1,05 m
24	619 81 115	1	L=1,25 m
25	619 81 163	1	L=1,45 m
25a	619 81 355	1	L=1,65 m
26	619 81 118	1	L=1,05 m
27	619 81 119	1	L=1,25 m
28	619 81 158	1	L=1,45 m
28a	619 81 350	1	L=1,65 m
29	619 81 123	10	L=1,05 m
30	619 81 123	12	L=1,25 m

GROUP: ROTOR WITH CUTTING BLADES



IDENTIFIKACIONA NUMERA ZA PORUŽBINU

31	619 81 123	14	L=1,45 m
31a	619 81 124	16	L=1,65 m
32	619 81 124	10	L=1,05 m
33	619 81 124	12	L=1,25 m
34	619 81 124	14	L=1,45 m
34a	619 81 123	16	L=1,65 m
35	619 81 126	1	
36	627 14 455	1	
37	627 14 624	1	
38	805 41 248	1	
39	000 00 061	26	M10
40	000 00 063	2	M16
41	000 00 071	4	10
42	000 00 072	40	12 - L=1,05
43	000 00 072	48	12 - L=1,25
44	000 00 072	56	12 - L=1,45
44a	533 01 407	64	12 - L=1,65
45	000 02 191	6	M10x30
46	000 02 493	6	10
47	000 05 825	4	M10x30
48	000 08 114	4	M10x30
49	000 09 797	12	M10x20
50	000 12 883	2	M10x50
51	000 10 691	2	6x30



This machine meets the safety requirements of the European Machinery Directive.



CAUTION: THIS SYMBOL IS USED IN THIS MANUAL WHEREEVER YOUR PERSONAL SAFETY IS IN QUESTION. BE CAREFUL!



THE OPERATOR SHOULD COMPLY WITH ALL REGULATIONS ON SAFETY AND HEALTH CARE, AS WELL AS REGULATIONS ON ROAD TRAFFIC. FOR THE PURPOSE OF YOUR OWN SAFETY, USE ONLY ORIGINAL PARTS PRODUCED BY FPM AGROMEHANIKA DOO - BOLJEVAC. THE MANUFACTURER IS NOT RESPONSIBLE FOR THE CONSEQUENCES OF INCORRECT USE OR NON-COMPLIANCE WITH THE RECOMMENDATIONS



**FOR YOUR PERSONAL SAFETY AND
TO GET THE BEST OF YOUR
CRUSHER, USE ONLY ORIGINAL
PARTS PRODUCED BY FPM
AGROMEHANIKA DOO BOLJEVAC**

FPM AGROMEHANIKA DOO

19370 Boljevac, ul. Đorđa Simeonovića br.25
TELEFONI: Služba prodaje: Tel: +381 30 461 171
Mob: +381 63 485 312
Služba Servisa: Tel: +381 30 463 619
Mob: +381 62 80 28 227
Služba Uvoz-Izvoz: +381 30 463 531
Fax: +381 30 463 405